

廣華電子材料有限公司

Kwang Hwa Elect. Material Co, Ltd.

Email:sales@cpu.com.tw
http://www.cpu.com.tw

AIR ULTRASONIC TRANSDUCERS

ENCLOSED TYPE TRANSCIEVER

MODEL : UTEC4018F

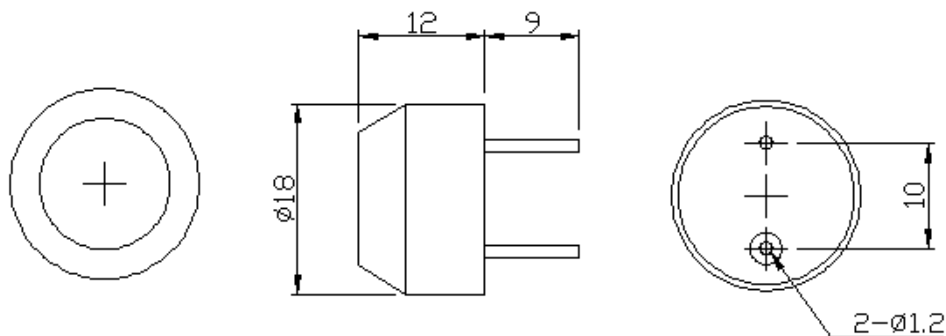
1. Features

- Anti-weather construction, with excellent humidity and temperature durability. Suitable for outdoor applications.
- High S.P.L. output : 105dB min.
- High sensitivity : -78 dB min.
- Uniform in quality

2. Applications

- Parking meter
- Burglar alarm
- Level meter

3. Dimensions



4. Ratings

Nominal Frequency (KHz)	40±1
Sensitivity (dB)	-75 min.
Sound Pressure Level (dB)	105 min.
Bandwidth (KHz)	1.5 min.
Capacitance (pf)	1700±25%
Maximum Input Voltage(Vrms)	20

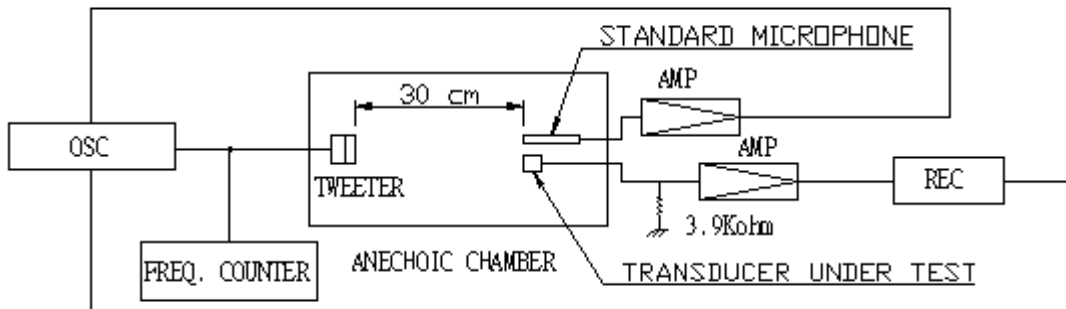
廣華電子材料有限公司

Kwang Hwa Elect. Material Co, Ltd.

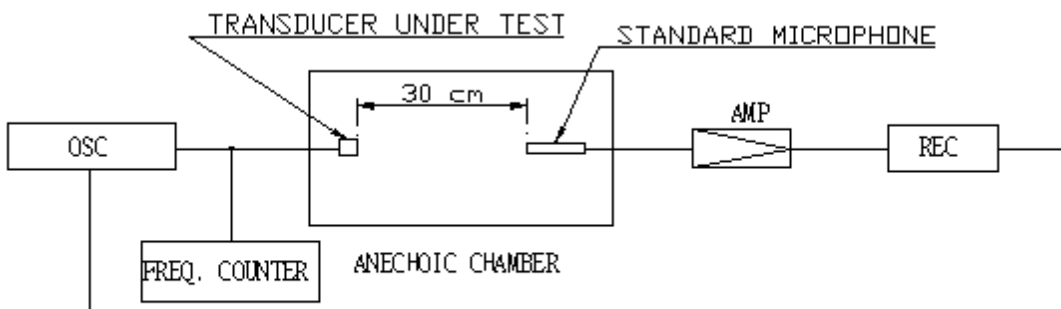
Tel:+886-4-2311-9030 Fax:+886-4-2311-9250 Email:sales@cpu.com.tw
 No.20, Lane 11, Sec. 3, Win-Sin Rd., Taichung 40712, Taiwan, R.O.C. <http://www.cpu.com.tw>

5. Test Circuits Diagram

a) Test Circuit Diagram for Receiving



b) Test Circuit Diagram for Transmitting

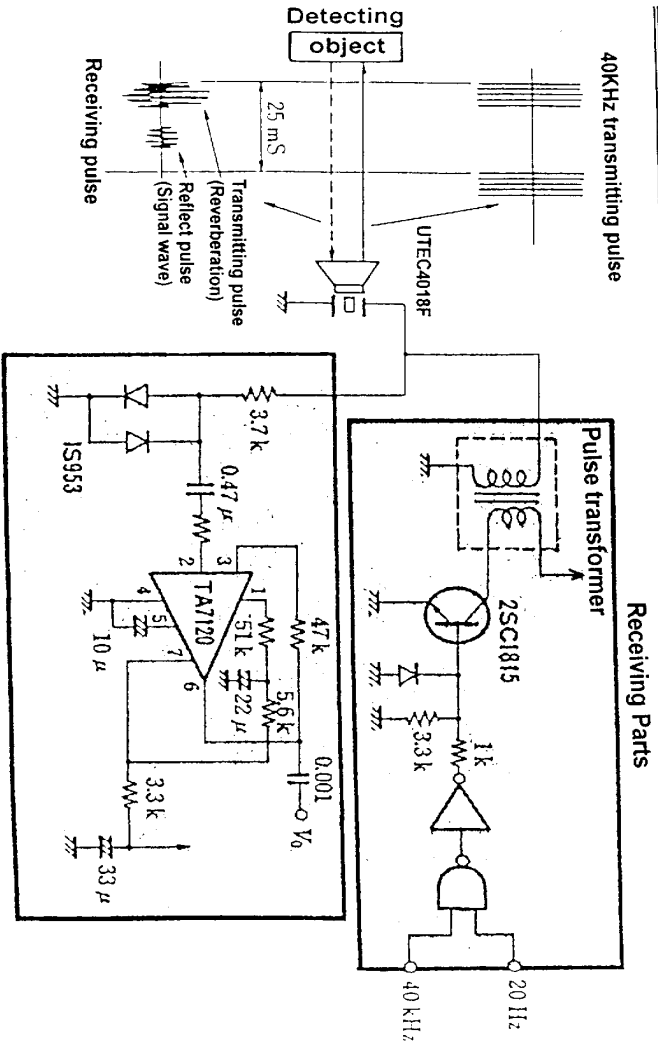


6. Environmental Characteristics

Item	Conditions	Variation of Sensitivity
Temperature Characteristics	-20~60°C	Within 10 dB
Humidity	40±2°C, 90-95 %RH, 100Hrs	Within 3 dB
Shock	50G impact Directions : 3 perpendicular directions Times : 3 times	Within 3 dB
Vibration	Directions : 3 perpendicular directions Times : 3 hours Single harmonic vibration a) Amplitude: 1.5mm Sweep Frequency : 10-50-10Hz with interval of 1 minute	Within 3 dB

Sencera Co. Ltd. Data Sheet

Tel: 886-2-27046595 Fax: 886-2-27041279 justine1@msl4.hinet.net <http://welcome.to/sencera>



UTECA018F reference circuit