

# 廣華電子材料有限公司

## Kwang Hwa Elect. Material Co, Ltd.

Email:sales@cpu.com.tw

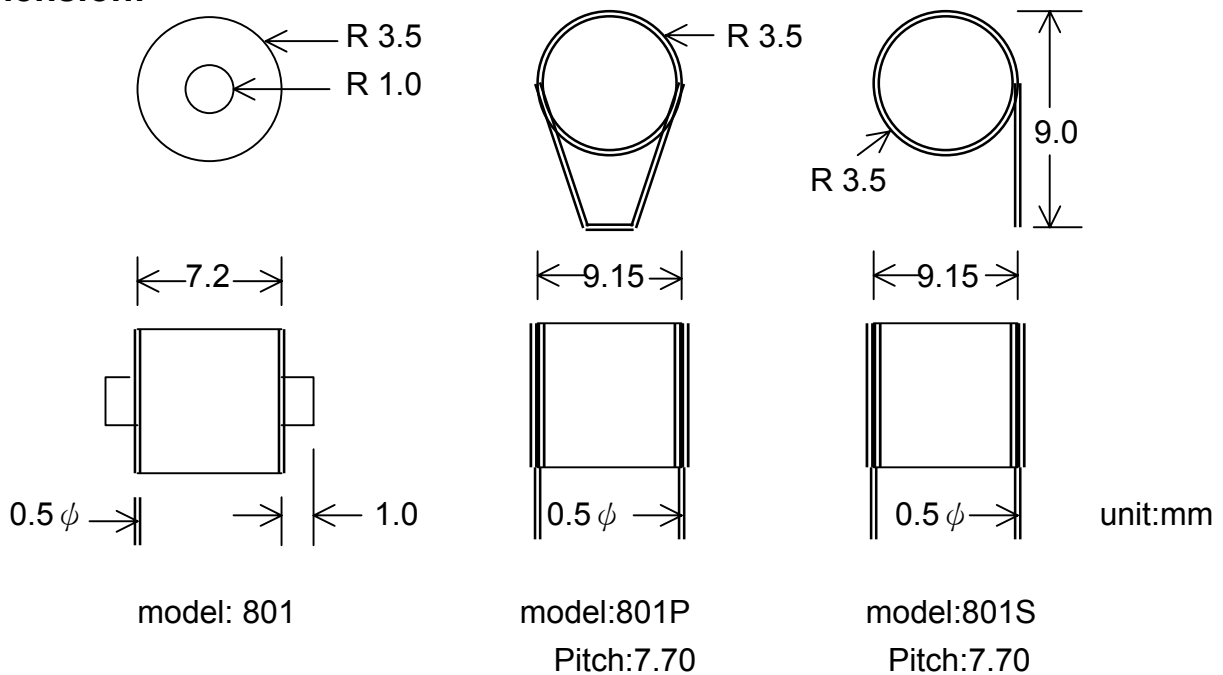
http://www.cpu.com.tw

### Shock sensor 801X specification

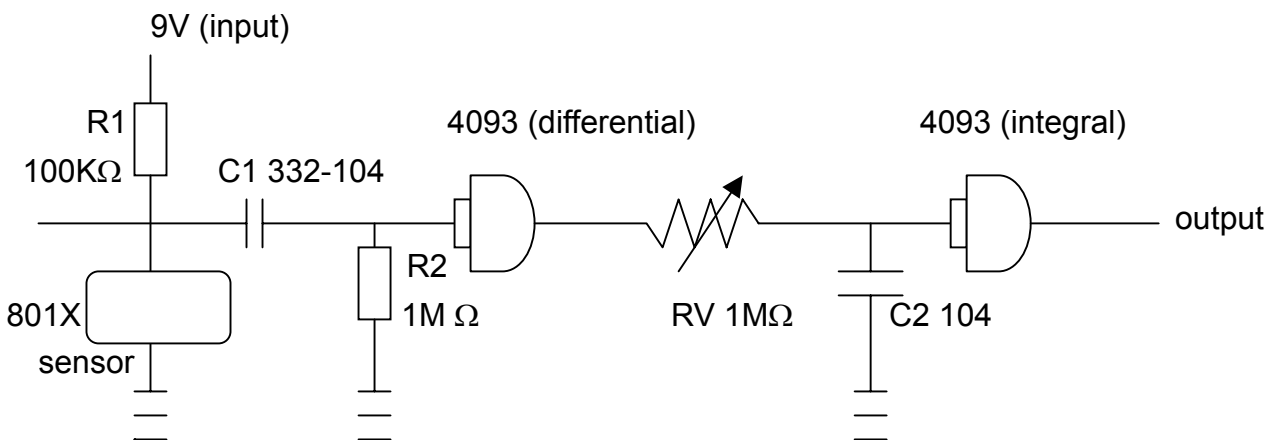
#### - Features:

- Micro Shock detecting.
- Non direction limited.
- 60,000,000 times shock guarantee (special gold alloy plated)
- Low cost circuit can adjust Sensitivity.

#### - Dimension:



#### - Reference circuit:



#### Attention:

1. Output must become **square wave**. (Can not use as shock switch!)
2. Take low or high of output square wave into your alarm system and adjust sensitivity from the delay time length.