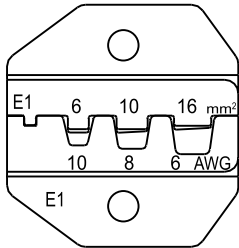
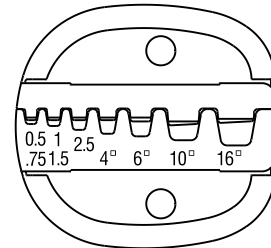
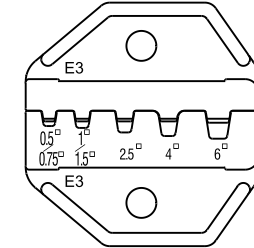



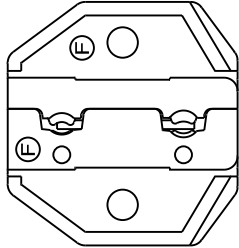
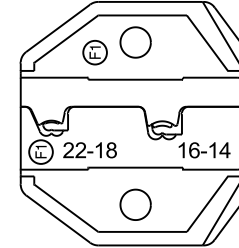
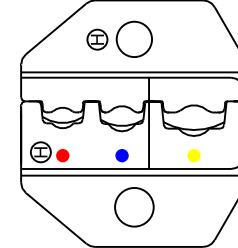



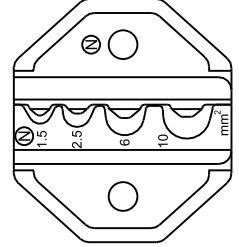
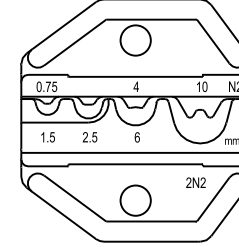
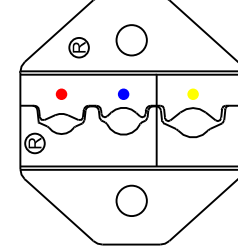




Professional Crimping Tool Ratchet Type

Item No	HT-5132E1/HT-236E1	HT-5132E2/HT-236E2	HT-5132E3/HT-236E3
			
Die P/N	2E1	2E2	2E3
Specifications	AWG 10/8/6 DIN 6/10/16 mm ²	AWG 22/20/18/16/14/12/10/8/6 DIN 0.5/0.75/1.0/1.5/2.5/4/6/10/16 mm ²	AWG 22/20/18/16/14/12/10 DIN 0.5/0.75/1.0/1.5/2.5/4/6 mm ²
Crimping cable size	Pin Terminal Insulated or Non-Insulated Ferrules 	Terminal Insulated or Non-Insulated Ferrules 	Terminal Insulated or Non-Insulated Ferrules 

Item No	HT-5132F/HT-236F	HT-5132F1/HT-236F1	HT-5132H/HT-236H
			
Die P/N	2F	2F1	2H
Specifications	AWG 22-18/16-14 DIN 0.5-1.0/1.5-2.5 mm ²	AWG 22-18/16-14 DIN 0.5-1.0/1.5-2.5 mm ²	AWG 22-18/16-14/12-10 DIN 0.5-1.0/1.5-2.5/4-6 mm ²
Crimping cable size	Insulated Flag Terminal 	Non-Insulated Flag Terminal 	Insulated Terminal 

Item No	HT-5132N/HT-236N	HT-5135N2	HT-5132R/HT-236R
			
Die P/N	2N	5N2	2R
Specifications	AWG 20-18/16-14/12-10/8 DIN 1.5/2.5/6/10 mm ² JIS 1.25/2.0/5.5/8 mm ²	AWG 18-16/14/12-10/8 DIN 0.75-1.5/2.5/4-6/10 mm ²	AWG 22-18/16-14/12-10 JIS 1.25/2.0/5.5 mm ²
Crimping cable size	Non-Insulated Terminal 	Non-Insulated Terminal 	Vinyl Insulated w/o Copper Sleeve 