

Sirius Technologies ST301/ST302 Data Logger  
Operating Manual V1.0

# ST301/ST302

## Data Logger

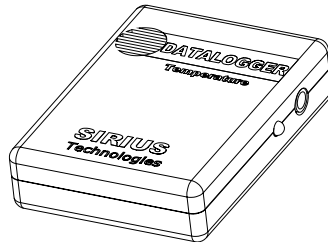
### Table of Content

1. Specifications.....	Page 1
2. Data logger Content.....	Page 2
3. .Installation Requirement.....	Page 3
4. Hardware Setup.....	Page4
5. Software Installation.....	Page 5-6
6. Data Logger Setup.....	Page 7-11
7. Data Logger Data Download.....	Page 12-17
8. Using other software functions.....	Page 18-19
< File	
< View	
< Test COM port	

# Sirius Technologies ST301/ST302 Data Logger Operating Manual V1.0

F !! C1qF.@b T U . 4 1 3 BD°\$ip» T U . 4 1 3 C- D  
# C1q sg @b V T C sg p» S T . 3 4 3 sg N- D° ä

## 1. Specifications

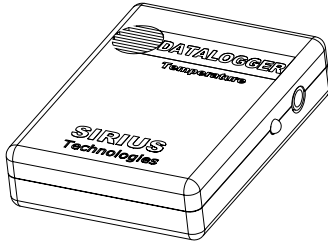


## Specifications

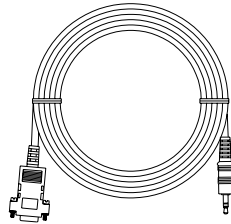
Model	ST301	ST301A	ST302
Type	Temperature	Temp/Hum	Temp/Hum
Channels	1	2	2
Range	-50°C to 70°C	-50°C to 85°C	-50°C to 85°C
Temp. Accuracy	±0.7°C at 25°C	±0.7°C ±0.5°C	±0.7°C ±0.5°C
Humidity Range		0-100% RH	0-100% RH
Humidity Accuracy		±0.5% RH ±0.5% RH	±0.5% RH ±0.5% RH
Resolution	1 bits	1 bits	1 bits
Memory	6K	128K	128K
Interface	Serial RS485	Serial RS485	Serial RS485
Rate of reading	3,000	6,000	6,000
Sensor	Internal	Internal	Internal
Sensor	Thermistor	Temp/Hum	Temp/Hum

# Sirius Technologies ST301/ST302 Data Logger Operating Manual V1.0

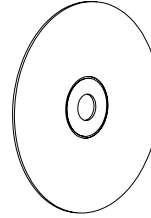
## 2. Data Logger Content



1. Data Logger Unit



2. RS-232 Cable



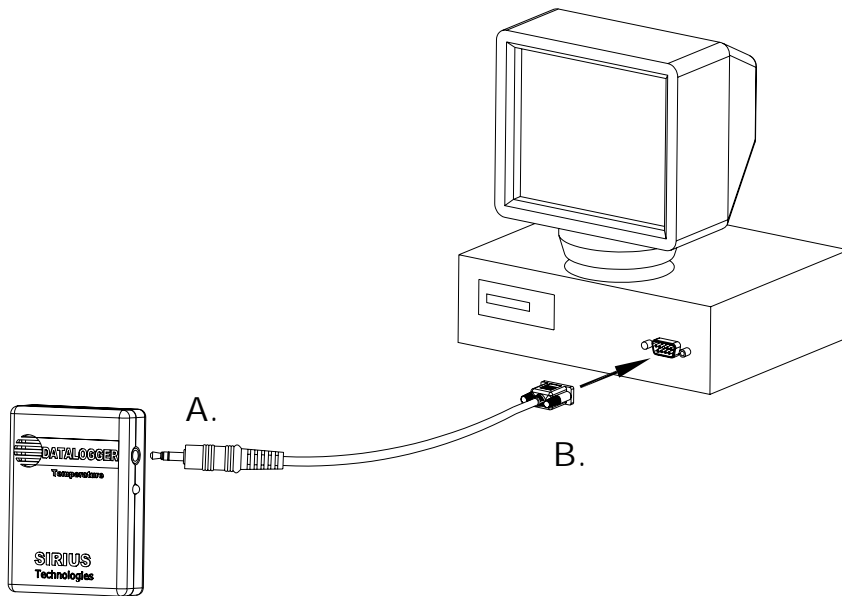
3. Installation Disk

## 3. Installation Requirements:

- < **Minimum system requirements for the software**
  - Pentium III - 500 MHz processor or equivalent with 128 Megabytes of RAM.
- < **Optimal Performance:**
  - Pentium 4 - 2.8 gigahertz processor or equivalent with 256 Megs or ram
- < **Operating System Requirements:**
  - Windows 2000
  - Windows XP

# Sirius Technologies ST301/ST302 Data Logger Operating Manual V1.0

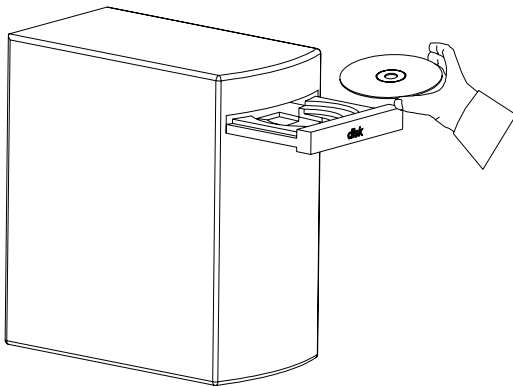
## 4. Hardware Setup



- B. Connect one end of cable(A) to The data logger.  
Connect the RS-232 end of the cable(B) to the computer.**

# Sirius Technologies ST301/ST302 Data Logger Operating Manual V1.0

## 5. Software Installation



**A. Insert the CD into the disk drive.**

# Sirius Technologies ST301/ST302 Data Logger Operating Manual V1.0

**B. Click on Data logger setup to start installation.**

# Sirius Technologies ST301/ST302 Data Logger Operating Manual V1.0

C. Follow the Installation Shield Wizard and click Finish to complete installation.

# Sirius Technologies ST301/ST302 Data Logger Operating Manual V1.0

## 6. Datalogger Setup

The ST301 Series data logger requires the user to setup the data logger from the PC interface program.

From the ST301 software main menu,  
Click on All programs, Click on Siriustech, Click on ST DATALOGGER,  
Click on ST Datalogger to start the PC program.

ST301 Data logger software main menu.



# Sirius Technologies ST301/ST302 Data Logger Operating Manual V1.0

A. Click on the icon to start the Setup menu.

Or

Click on Logger, click on Setup to enter the setup screen.

# Sirius Technologies ST301/ST302 Data Logger Operating Manual V1.0

## B. Setup menu

Figure 1- Setup Menu

1.	Product Name	Program will identify model # connected to the RS232 port
2.	Date	Current computer date
3.	Maximum Record number	Maximum number of records can be store in one data logger
4.	Temperature(F)	Current real time temperature reading in F
5.	Temperature(C)	Current real time temperature reading in C
6.	Humidity(%)	Current real time humidity reading in RH%
7.	Description	Type in description for the data logger. The description will be saved in the data logger memory.
8.	Interval(Duration)	Select sampling Interval
9.	Start Record Time	Select start date to start recording.
10.	End Record	Select end date to end recording

# Sirius Technologies ST301/ST302 Data Logger Operating Manual V1.0

	Time	
--	------	--

**Figure 1- Setup Menu**

11.	Delay Start Record	Check this box, the data logger will start and end according to the dates selected in #9 Start Record Time and #10 End Record Time. If this box is leave blank, the data logger will start recording immediately once the setting has been saved to the logger.(no delay start)
12.	Disable/Enable Channels	For ST303 Only
13.	Setting	Save the setting to the data logger unit.
14.	Cancel	Cancel and return to main menu.
15.	Status Button	Indicate connection between PC software and data logger unit. Green-Connected

# Sirius Technologies ST301/ST302 Data Logger Operating Manual V1.0

		Red-Disconnected.
--	--	-------------------

Once the start and end data parameters have been selected, click "Setting" to save the parameters to the data logger. If the "Delay Start Record" box is checked, the logger will start according to the set start and end time. If the box is leave blank, the data logger will start recording immediately once the "Setting" button is clicked.

# Sirius Technologies ST301/ST302 Data Logger Operating Manual V1.0

## 7. DOWNLOAD DATA STORED IN THE DATA LOGGER

**A. Click on the icon to start the Download menu.**

**Or**

**Click on Logger, Click Download Records to start the Download menu.**

# Sirius Technologies ST301/ST302 Data Logger Operating Manual V1.0

**B. The software will try to establish the connection between PC and the data logger.**

# Sirius Technologies ST301/ST302 Data Logger Operating Manual V1.0

## C. Data logger Found.

# Sirius Technologies ST301/ST302 Data Logger Operating Manual V1.0

## Downloading Record

D. Once the Connection is established, the software will automatically download all the records in the data logger.



# Sirius Technologies ST301/ST302 Data Logger Operating Manual V1.0

(Enter .adc file name)

E. Once the download is completed, the software will prompt you to save an .adc file. The .adc file is for ST301 software use only. The retrieved data records are saved in .adc format. The saved file can be later be downloaded back to the computer for graphic and data viewing.

# Sirius Technologies ST301/ST302 Data Logger Operating Manual V1.0

F. After the .adc file is saved, the retrieved data will be display in both the graphic and data format for viewing. Click on the any data record set (A), will correspond to the exact point on the graphic(B).

# Sirius Technologies ST301/ST302 Data Logger Operating Manual V1.0

## 8. Using Other Software Functions

### A. FILE

1. **Open**  
-Click on Open to open the file in .adc format.
2. **Export Data to Excel File**  
-The open .adc format file can be saved in Excel format for more editing.
3. **Print-**  
-The display data set can be send to the printer by click on the Print command.
4. **Exit**  
- Click on Exit the ST301 data logger program.

### B. View

After the first default data set is displayed, follow the steps, the user can see other data sets:

1. Click on View, click on Display, click on Temp(F)/RH(%) or Temp(C)/RH(%) to see the graphic in either F or C display. The software will reload the data and display either in (F) or (C).

# Sirius Technologies ST301/ST302 Data Logger Operating Manual V1.0

## C. Test COM Port

Click on Logger, click on Test COM port to test the validity of the communication port.