

AC Fan Motors

High Ace □ 160mm

High Ace

High-air-flowrate, high-static-pressure type, largest type

General specifications

- Motor construction ······Capacitor motor
- Motor protection system ····Thermal protection
- Dielectric strength ······50/60 Hz, 1500 VAC, 1 minute
(between input terminal and frame, or between lead conductor and frame)
- Operating voltage range ····+10%
- Plug cord:················For UL/CSA 489-084 (L10, L21)
489-086 (L10, L21)
※For the power cord, see page 113.

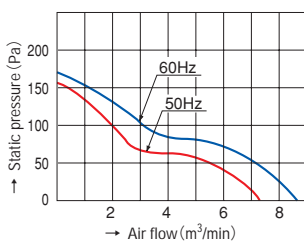


51 mm thick

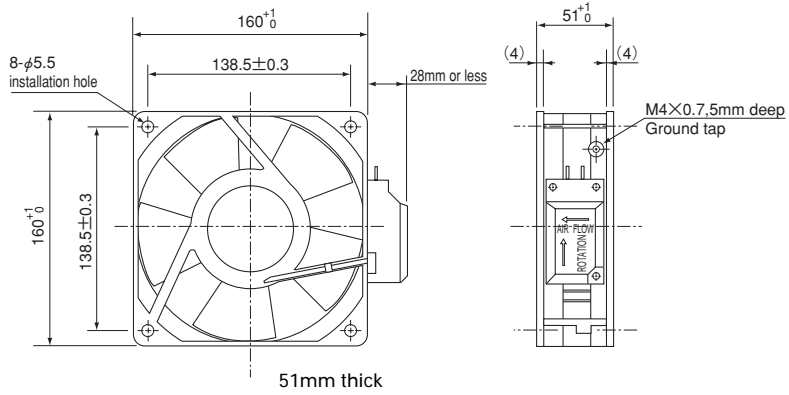
Specifications (Operating thermally range -30°C to +60°C)

Model	Voltage (V)	Frequency (Hz)	Input (W)	Current (A)	Bound current (A)	Rotating speed (min ⁻¹)	Air flow (m ³ /min) (CFM)	Static pressure (Pa)	Noise (dB[A])	Mass (g)
109-601	100	50/60	37.5/33	0.43/0.35	0.72/0.70	2850/3350	7.2/8.5 254.4/300.4	156.8/166.6	56/60	1100
109-604	115			0.39/0.31	0.62/0.61					
109-602	200			0.23/0.18	0.36/0.35					
109-603	230			0.21/0.16	0.32/0.31					

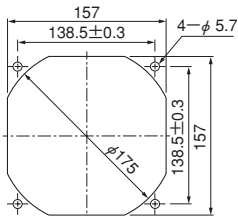
Typical air flow and static pressure characteristics



Dimensions (unit : mm)



Reference dimensional diagram for installation holes (unit : mm)



Wiring diagram

