

Specs.& Unit	Rating Input Current	Linear Range	Rating Output Voltage	Offset (Residual) Voltage	Linearity	Power Supply	Consumption Current		Response Time	Thermal Drift of Output	Thermal Drift of Zero Current Offset	Hysteresis Error	Impedance	Operation Temp. / Humidity	Storage Temp. / Humidity	Voltage Range
Part#	DC Amp(AT)	DC Amp(AT)	DC Volt, ±1%	Max. (Volt)	Max.of Vh (%)	DC Volt, ±5%	Max. (mA.)		Max. (μsec.)	(%/°C)	Max. (mV/°C)	Max. (V)	Min.(MΩ), 500V DC	°C/ (no condensation)	°C/ (no condensation)	AC Volt, (for 1 minute)
DHCT-G0050	50	0~± 150	4V	±0.03V	±1%	±15V	18mA	10 μsec.	TYP. ±0.08%/°C, Max. ±0.1%/°C	±2mV/°C	±0.035V	Over 500MΩ	-10~+80°C/ Below 80%R.H.	-15~+85°C/ Below 70%R.H.		2000V, 50/60Hz between aperture and terminals
DHCT-G0100	100	0~± 300														
DHCT-G0200	200	0~± 600														
DHCT-G0300	300	0~± 900														
DHCT-G0400	400	0~±1000														
DHCT-M0100	100	0~± 200	4V	±0.05V	±1%	±15V	20mA	25 μsec.	TYP. ±0.08%/°C, Max. ±0.1%/°C	±1mV/°C	±0.035V	Over 500MΩ	-10~+50°C/ Below 80%R.H.	-15~+60°C/ Below 70%R.H.		2000V, 50/60Hz between aperture and terminals
DHCT-M0200	200	0~± 400														
DHCT-M0400	400	0~± 600														
DHCT-M0600	600	0~± 900														
DHCT-M0800	800	0~±1200														
DHCT-M1000	1000	0~±1500														
DHCT-M1200	1200	0~±1800														
DHCT-M1400	1400	0~±2100														
DHCT-M1600	1600	0~±2400														
DHCT-M1800	1800	0~±2700														
DHCT-M2000	2000	0~±3000														

Features

- ★ Superior linearity
- ★ Application to both AC and DC measurement
- ★ Compact size and light weight
- ★ Quick response
- ★ Providing absolute electrical isolation

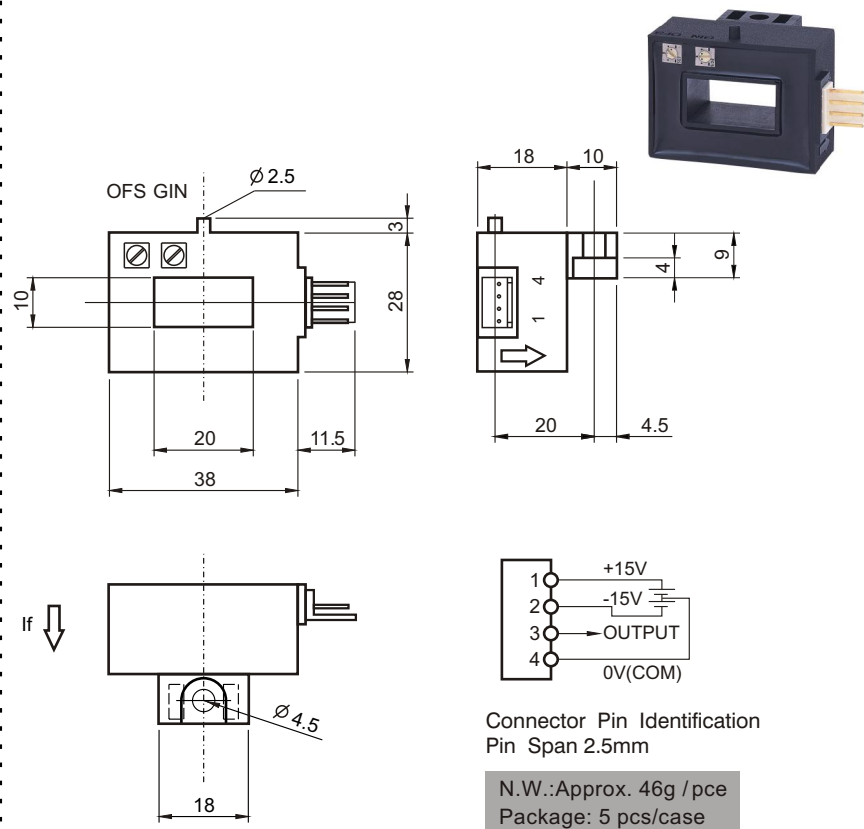
Application Range

- ★ UPS systems
- ★ AC and DC servo systems
- ★ Speed controller of motors
- ★ NC tooling machines
- ★ Inverter-controlled welding machines
- ★ Controller of lifts
- ★ Controller of electrical vehicles
- ★ Process control devices
- ★ General and special purpose inverters
- ★ Other automatic control systems

* Specifications and external appearance of the product may be revised for modification without prior notice.

DHCT-G Bus-bar Mount / Panel Mount Type

Dimension of Aperture (Hole) : 10x20mm



DHCT-M Panel Mount Type

Dimension of Aperture (Hole) : 27x85mm

