



7511 Totalising timer.

7511HV Totalising timer with high voltage inputs .

7511 | 7511HV

The new 7511 series timer is feature packed and with a price performance ratio unrivalled, suitable for thousands of applications.

Features

- Use of the latest CMOS circuitry achieves an expected battery life of 10 years.
- 4 timing modes seconds, minutes and seconds, hours and 1/100ths, hours and minutes
- Screw terminal connectors for quick installation
- Front panel reset disable function
- External reset terminal
- Backlight (externally powered) 5VDC
- 8 digits 9mm high with leading zero blanking
- NPN negative edge triggered timing input 18VDC max, 1VDC threshold (7511)
- Standard DIN bezel 48mm x 24mm
- IP65 front panel protection
- High voltage input model available 7511HV (10-240VAC or 10-110VDC)

General Specifications

Battery Non-replaceable Lithium battery, expected life 10 years at 20°C

Display 8 digit black LCD, 9mm characters, leading zero blanking, backlight requires external 5VDC supply. Configurable decimal place upto 3 dec place (jumper link configured).

Timing Ranges:

- 0-99999999 seconds
- 0-99999 mins-59 seconds
- 0-99999 hours-99/100th hour
- 0-99999 hours-59 mins

Connections Finger-proof screw connections for cables up to 1.5mm²

Operating temperature -10°C to +60°C

Storage temperature -20°C to +60°C

Altitude Up to 2000m

Relative Humidity 80% max up to 31°C, decreasing to 50% max at 40°C

Sealing IP65/NEMA4X

Mounting Either with clip mount supplied or two front screws with bezel supplied.

Manual Reset Enable Configured by jumper link

Packed Weight 62 grammes

Box Dimensions 56mm x 44mm x 62mm

Individual Product Specifications

External Reset (7511)

Contact closure/open collector, negative edge triggered, 0.7v threshold, 15mS minimum closure time.

Direction Input (7511 | 7511HV)

Connection or electronic input TTL/CMOS compatible. Add=no connection or >2.4v (logic 1); Subtract=connect to COMMON or <0.7v (logic 0).

Timing Input (7511)

Contact closure/open collector with integral de-bounce circuitry. 30Hz maximum, negative edge triggered, 0.7v threshold, 1 second minimum closure time. Max 18VDC.

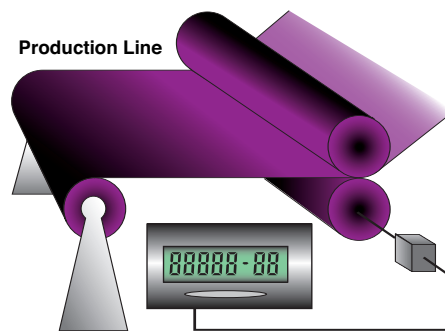
External Reset (7511HV)

10-110VDC ±10%, 10-240VAC ±10%, 50mS minimum length.

Timing Input (7511HV)

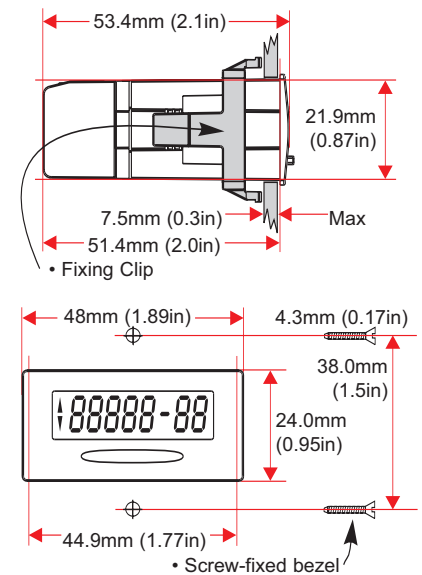
10-110VDC ±10%, 10-240VAC ±10%, 1 second minimum pulse width.

Typical Applications



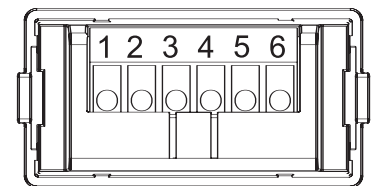
- Machine run time indication
- Machine down time indication
- Fault time recording
- Vehicle engine time running display
- Replacement of electro mechanical timers units

Product Dimensions



Panel cutout 45mm x 22.5mm (0.771" x 0.885")

Rear view screw terminal connections.



ORDER INFORMATION

Order by type numbers of timer:

7511 Timer

7511HV Timer with HV inputs