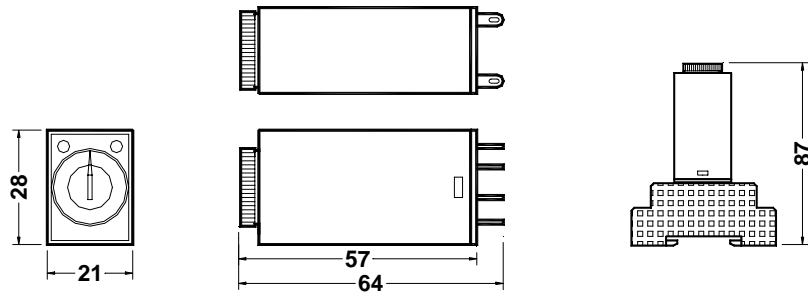


H3Y-2 /H3Y-3/H3Y-4

。 DIMENSIONS 规格尺寸

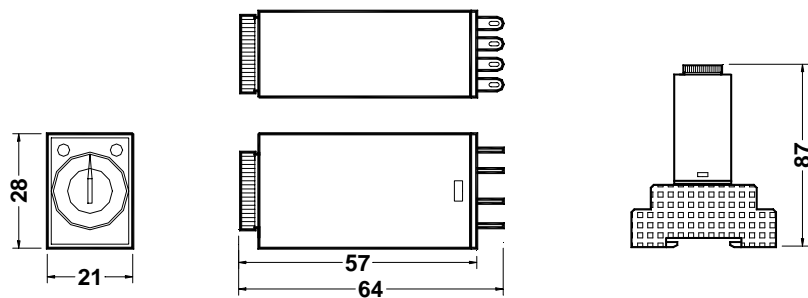
H3Y-2

H3Y-2 + PYF-08A UNIT :mm



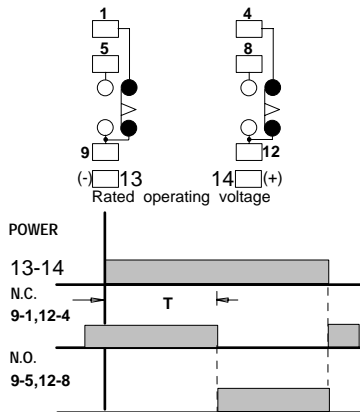
H3Y-3/H3Y-4

H3Y-3/H3Y-4 + PYF-14A

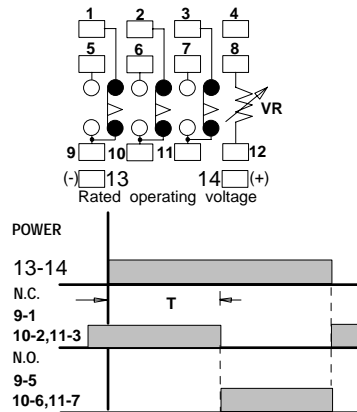


。 OPERATION 操作方式

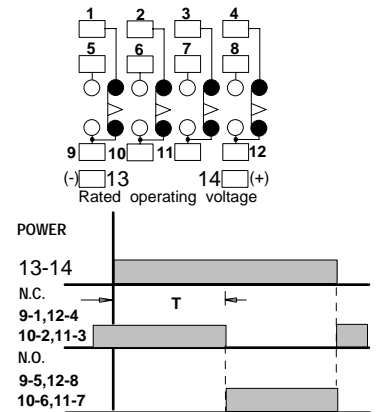
H3Y-2



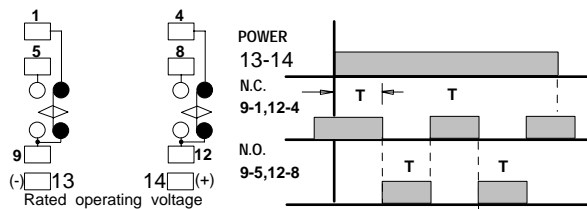
H3Y-3



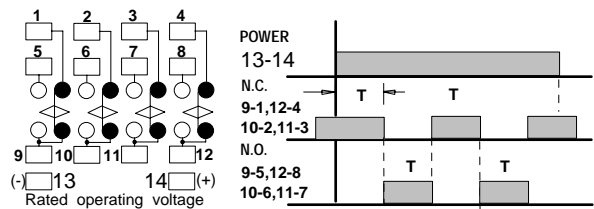
H3Y-4



H3Y-2K



H3Y-4K



COM. : Common terminal
N.C. : Normally closed contact
N.O. : Normally open contact

●▲● : Timed out contact
○ ○ : Instantaneous contact

COM. : Common terminal
N.C. : Normally closed contact
N.O. : Normally open contact

●▲● : Flicker out contact
○ ○ : Instantaneous contact