

## FEATURES

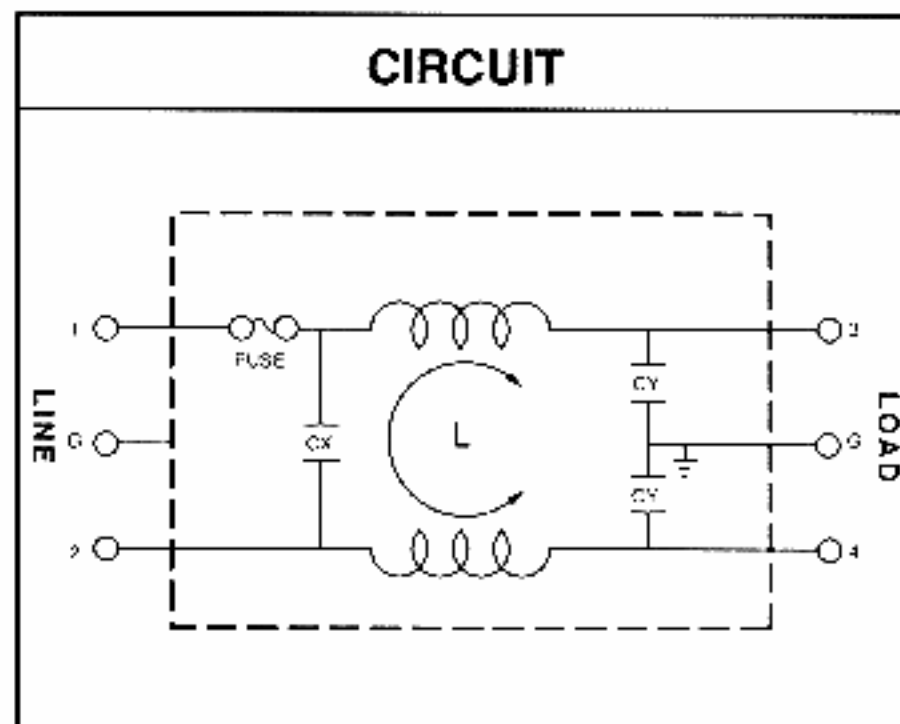
- General purpose filter with a fuse holder providing effective EMI suppression of both line-to-line and line-to-ground noise.
- 250 Faston terminals
- All parts are approved by UL, CSA, VDE, SEMKO, NEMKO, DEMKO and FIMKO.



YL-T1

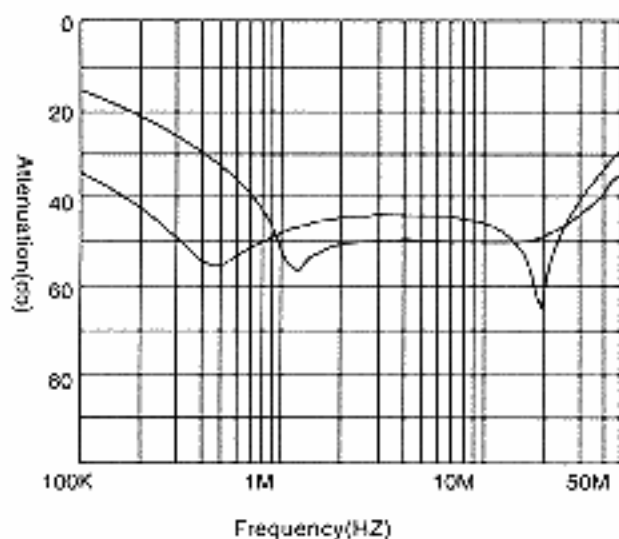
## SPECIFICATIONS

ITEM	MODEL	YL01T1	YL03T1	YL06T1	YL10T1
RATED VOLTAGE		250V AC	250V AC	250V AC	250V AC
RATED CURRENT		1A	3A	6A	10A
LEAKAGE CURRENT		0.8mA MAX 250V, 50Hz	0.9mA MAX 250V, 50Hz	0.8mA MAX 250V, 50Hz	0.8mA MAX 250V, 50Hz
TEST VOLTAGE	LINE TO LINE	1450V DC	1450V DC	1450V DC	1450V DC
	LINE TO GROUND	2250V DC	2250V DC	2250V DC	2250V DC
INSULATION RESISTANCE		100MΩ MIN 250V DC	100MΩ MIN 250V DC	100MΩ MIN 250V DC	100MΩ MIN 250V DC
DIRECT CURRENT RESISTANCE		0.5Ω MAX	0.2Ω MAX	0.15Ω MAX	0.1Ω MAX
TEMPERATURE RISE		30°C MAX	30°C MAX	30°C MAX	30°C MAX
OPERATING TEMPERATURE		-25~+85°C	-25~+85°C	-25~+85°C	-25~+85°C
ATTENUATION	NORMAL MODE 25db MIN	0.40 ~ 50MHZ	0.50 ~ 50MHZ	0.80 ~ 40MHZ	1.20 ~ 50MHZ
	COMMON MODE 25 db MIN	0.10 ~ 45 MHz	0.13 ~ 50 MHz	0.50 ~ 47 MHz	1.50 ~ 50 MHz
	CX	0.1μF	0.1μF	0.1μF	0.1μF
	CY	3300pF*2	3300pF*2	3300pF*2	3300pF*2
	INDUCTANCE	3.7mH*2	1.8mH*2	0.7mH*2	0.3mH*2

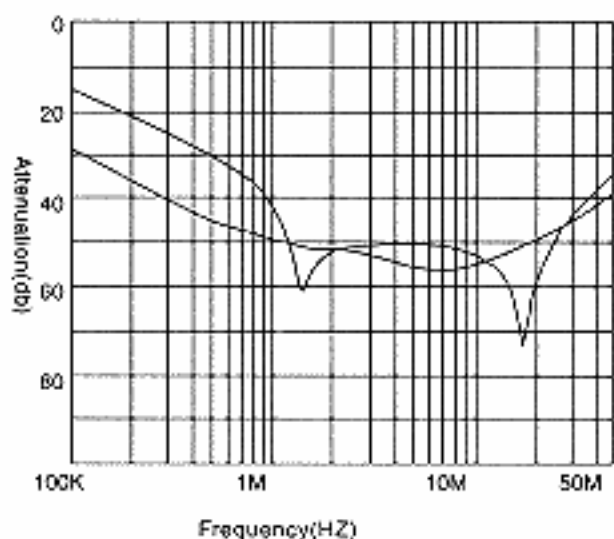


## NOISE ATTENUATION (—— NORMAL MODE, —— COMMON MODE)

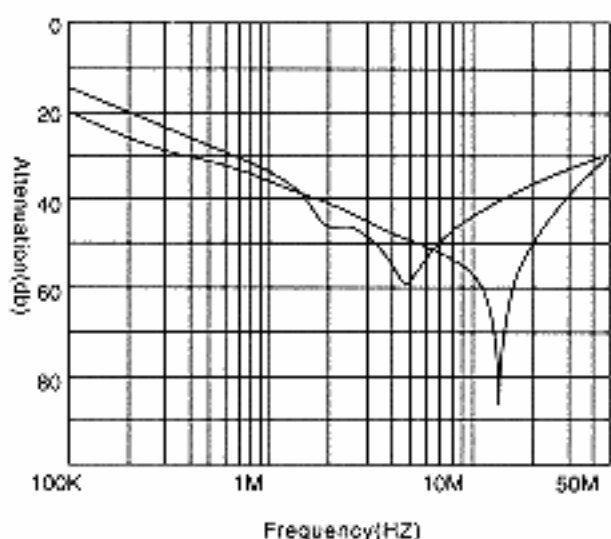
YL01T1



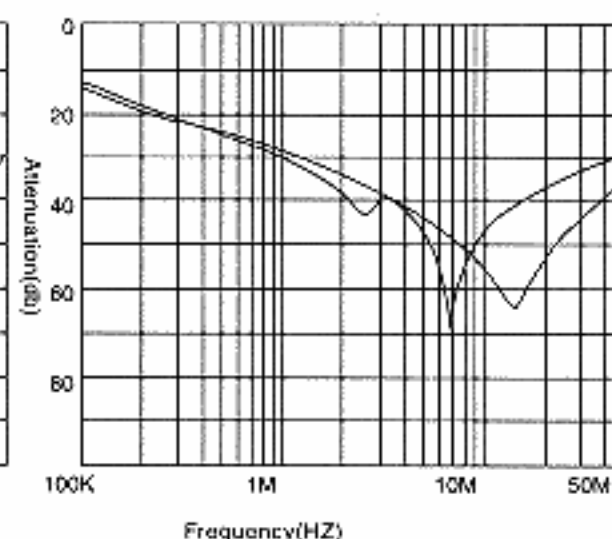
YL03T1



YL06T1



YL10T1



## DIMENSION(mm)

