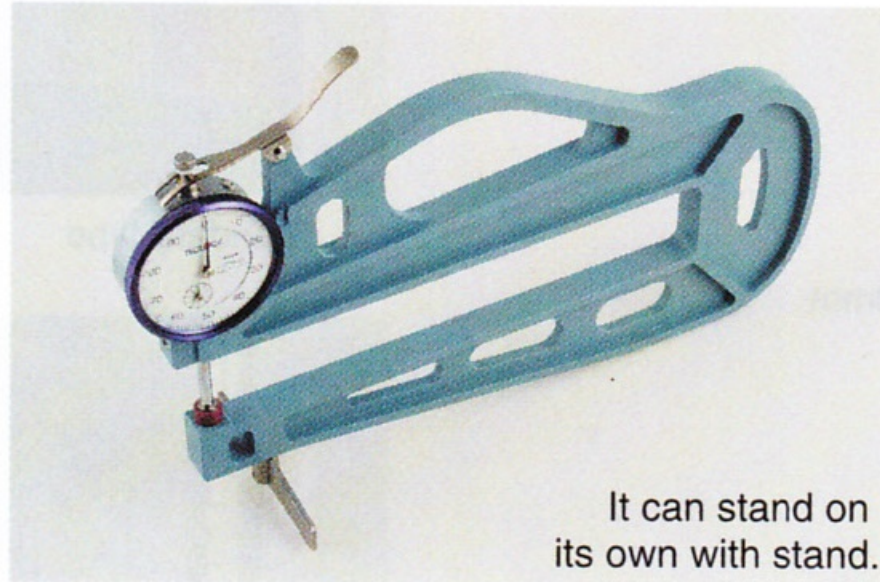
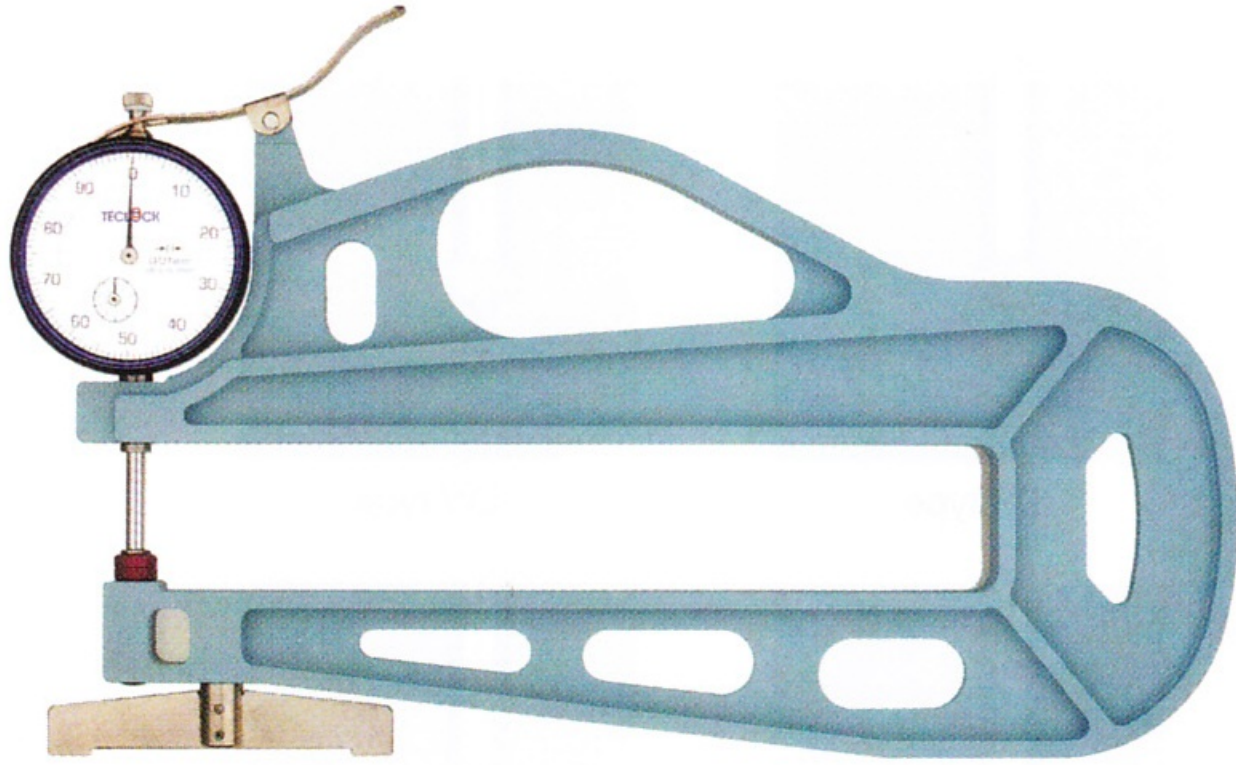
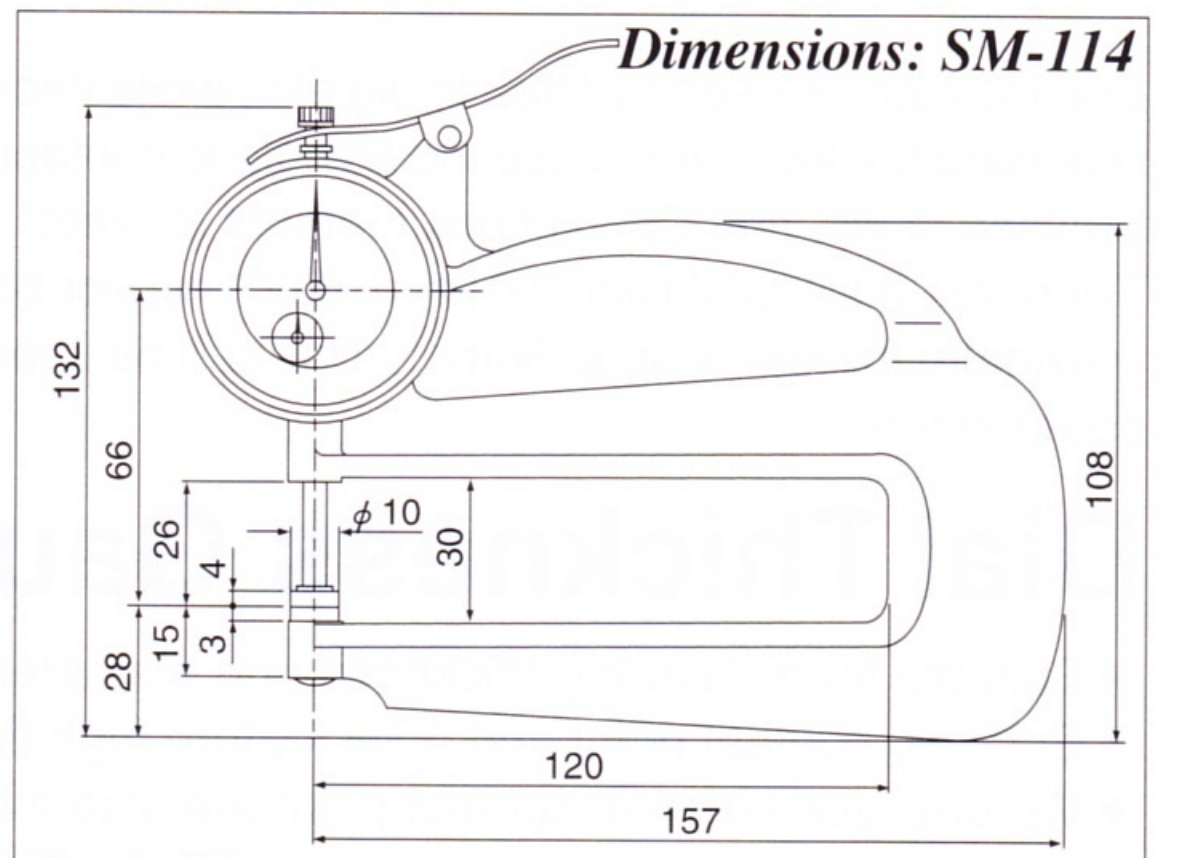
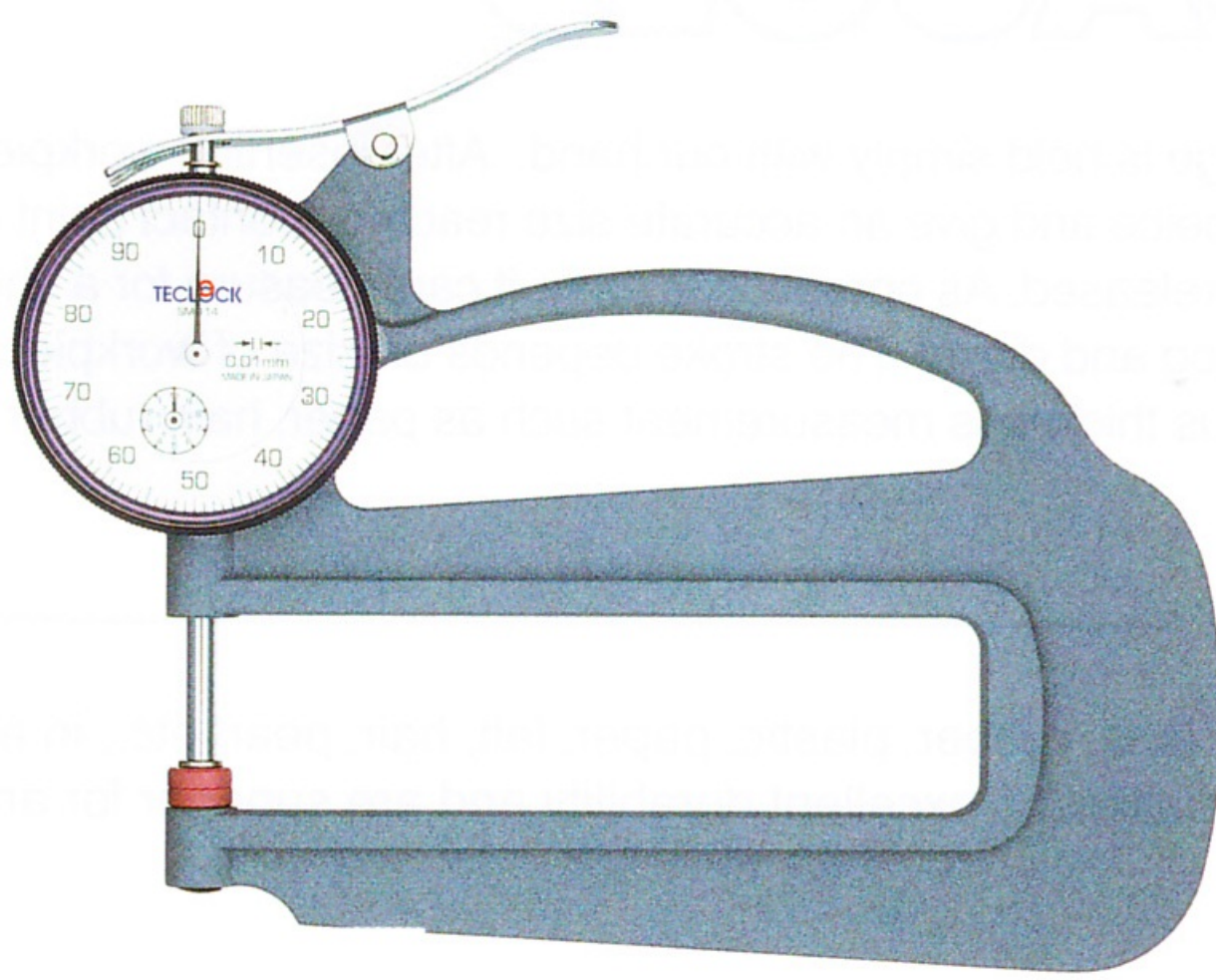
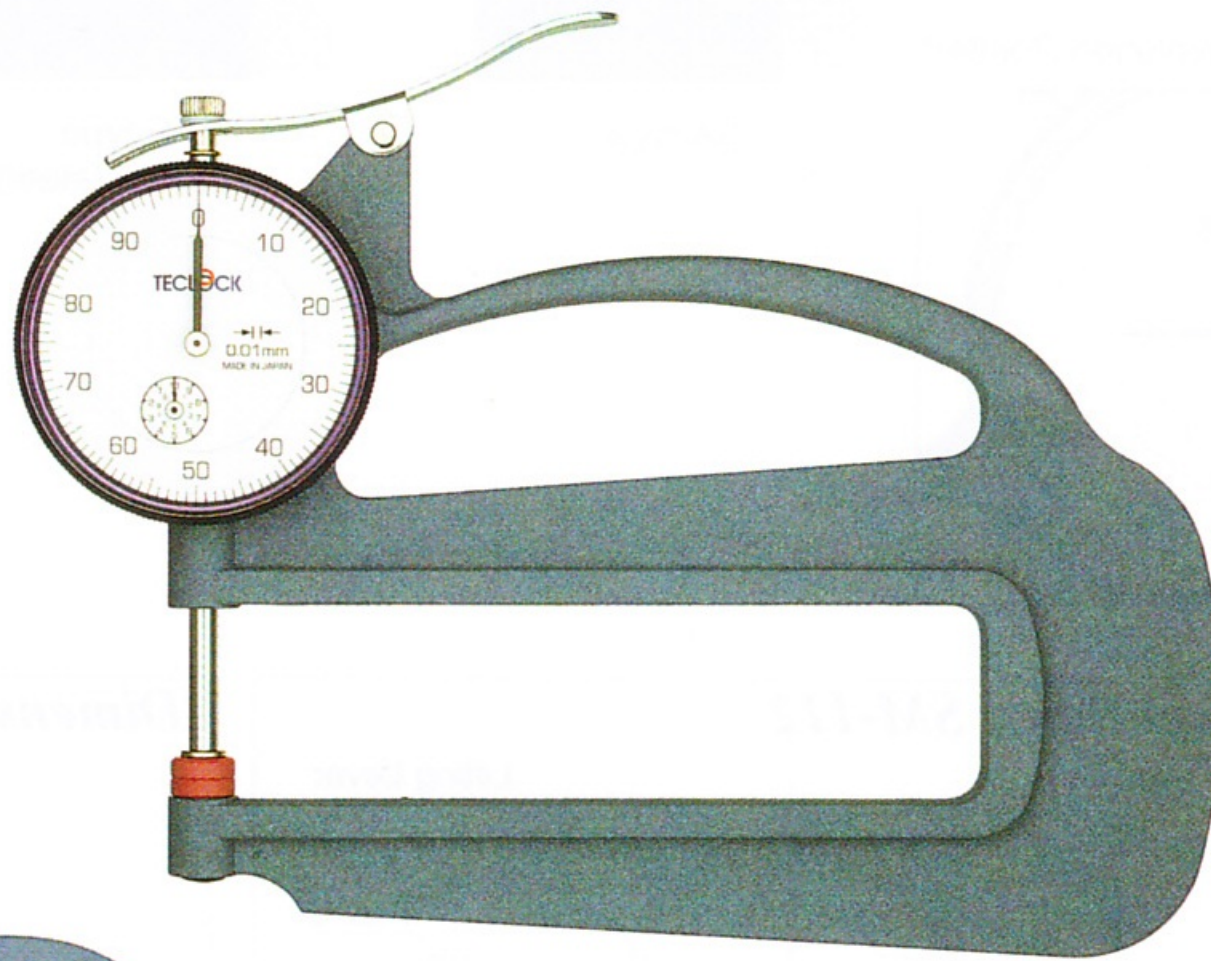
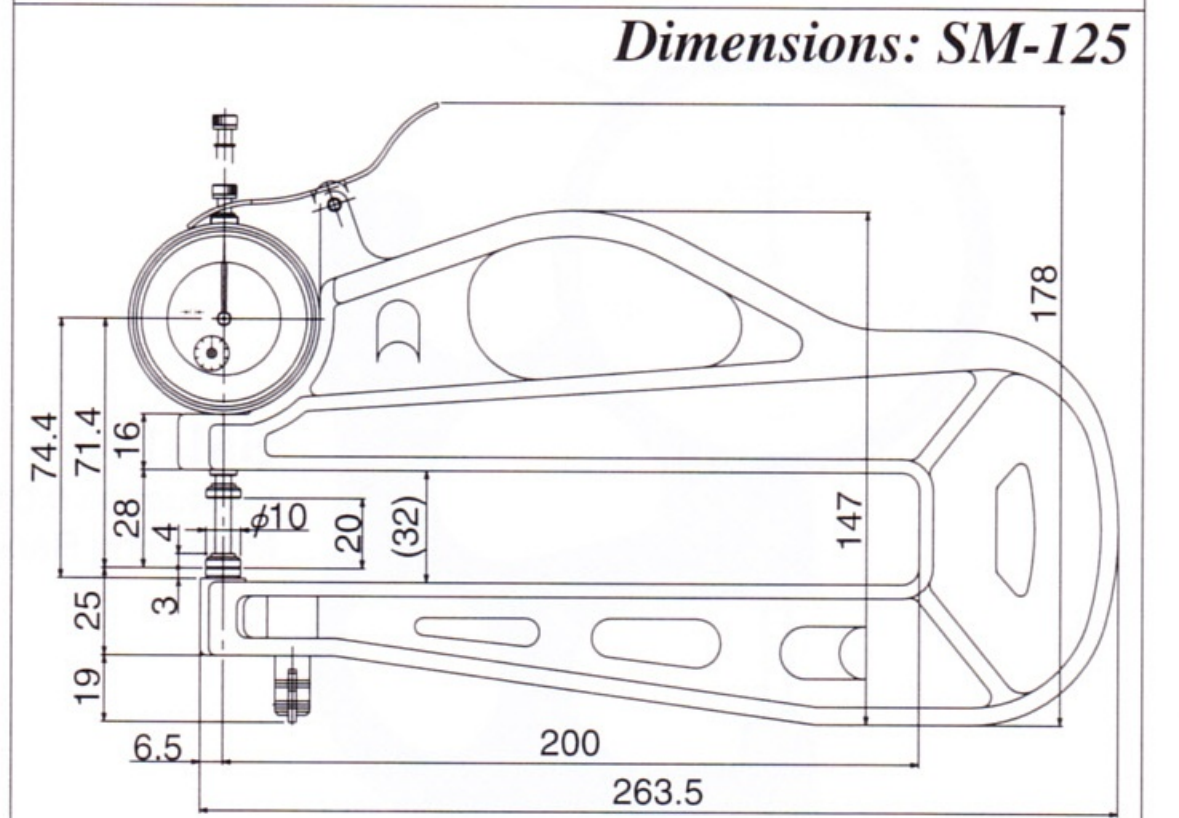


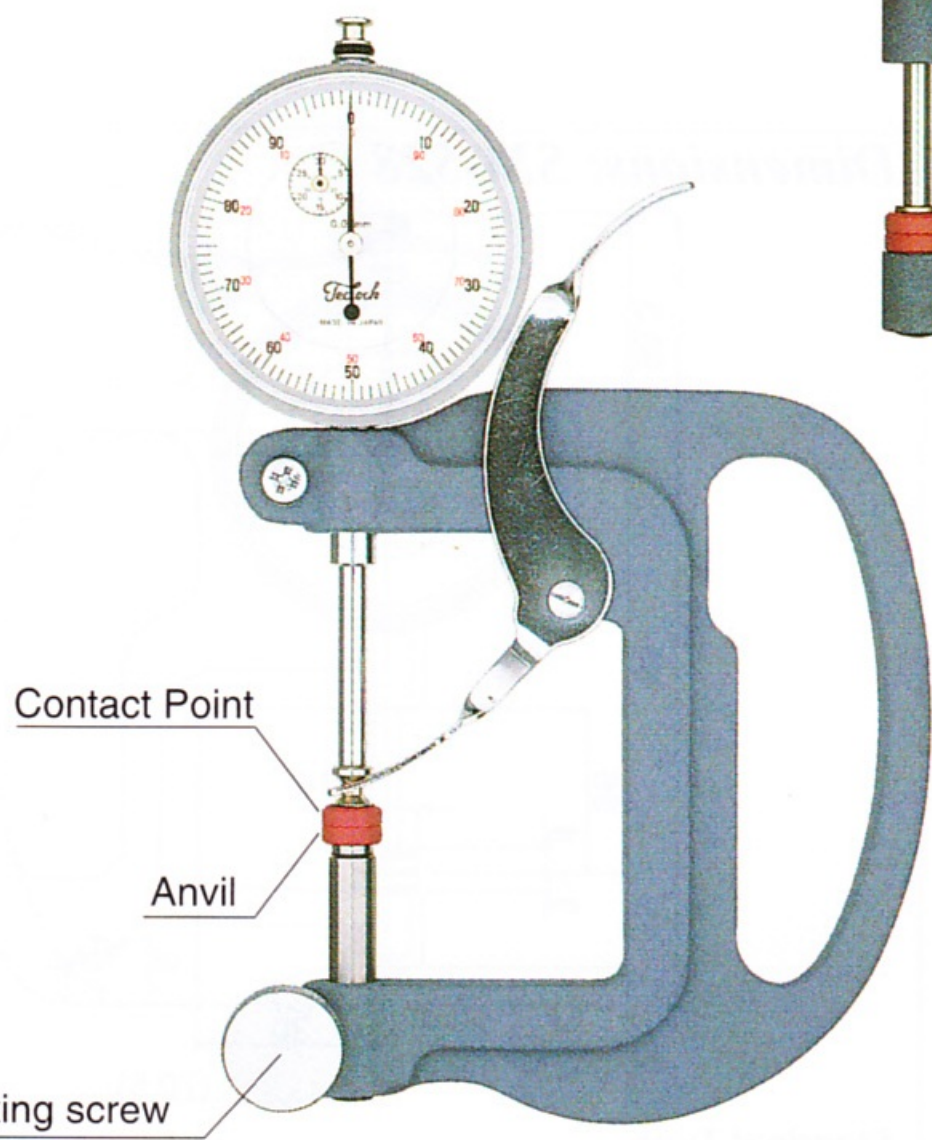
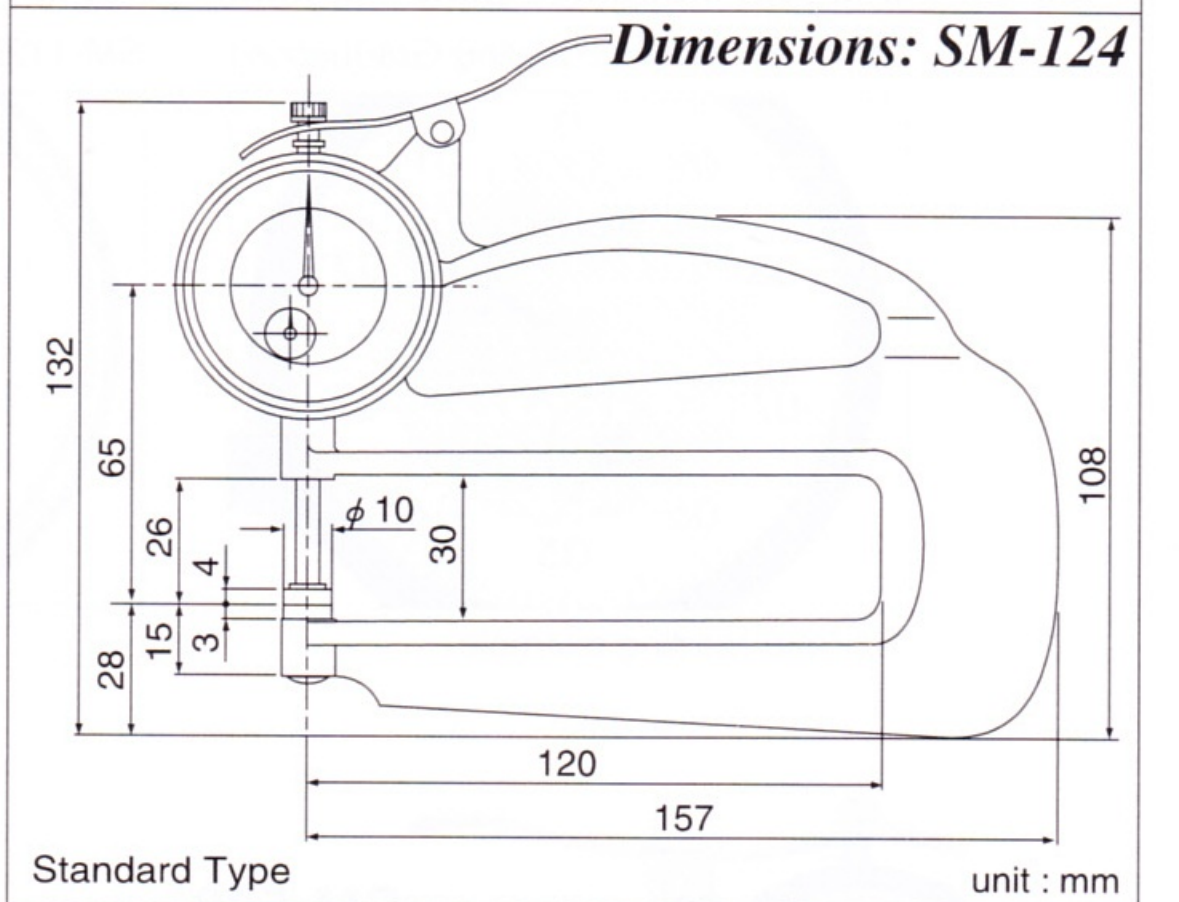
SM-114
Graduation 0.01mm
Measuring Range 10mm



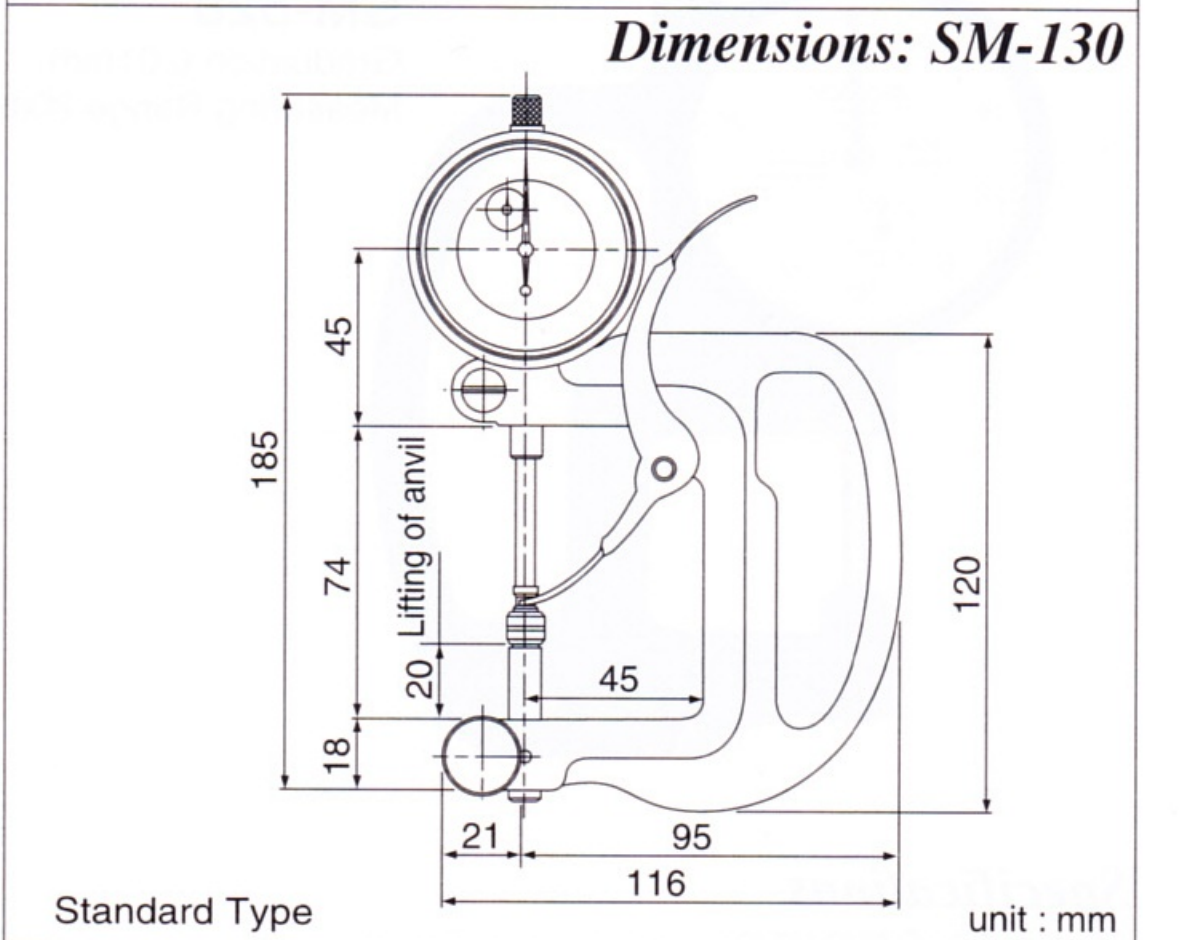
SM-125
Graduation 0.01mm
Measuring Range 20mm



SM-124
Graduation 0.01mm
Measuring Range 20mm



SM-130
Graduation 0.01mm
Measuring Range 50mm
Indication Range 30mm
(Lifting of anvil)
Upward Shockproof



Specifications

SM-114 SERIES

Model	Graduation (mm)	Measuring Range (mm)	Accuracy (μm)	Parallelism (μm)	Dial Reading	Measuring Force (N)	Contact point form (mm)	Anvil form (mm)	Weight (g)
SM-114	0.01	10	15	5	0-50-100	2.5 or less	ϕ 10 Flat	ϕ 10 Flat	270
SM-114LS	0.01	10	15	—	0-50-100	2.5 or less	ϕ 3.2 Ball	ϕ 10 Flat	270
SM-114LW	0.01	10	15	—	0-50-100	2.5 or less	ϕ 3.2 Ball	ϕ 3.2 Ball	270
SM-114P	0.01	10	15	5	0-0.5-1	2.5 or less	ϕ 10 Flat	ϕ 10 Flat	270

SM-125

SM-125	0.01	20	20	5	0-50-100	3.5 or less	ϕ 10 Flat	ϕ 10 Flat	440
--------	------	----	----	---	----------	-------------	----------------	----------------	-----

SM-124 SERIES

SM-124	0.01	20	20	5	0-50-100	3.5 or less	ϕ 10 Flat	ϕ 10 Flat	270
SM-124LS	0.01	20	20	—	0-50-100	3.5 or less	ϕ 3.2 Ball	ϕ 10 Flat	270
SM-124LW	0.01	20	20	—	0-50-100	3.5 or less	ϕ 3.2 Ball	ϕ 3.2 Ball	270

SM-130 SERIES

SM-130	0.01	50	25	5	\pm 0-50-100	2.2 or less	ϕ 10 Flat	ϕ 10 Flat	620
SM-130LS	0.01	50	25	—	\pm 0-50-100	2.2 or less	ϕ 3.2 Ball	ϕ 10 Flat	620
SM-130LW	0.01	50	25	—	\pm 0-50-100	2.2 or less	ϕ 3.2 Ball	ϕ 3.2 Ball	620