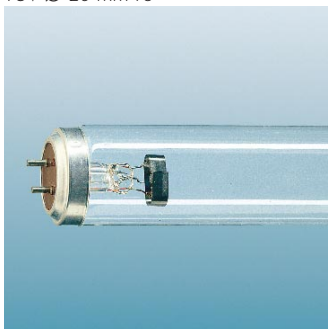
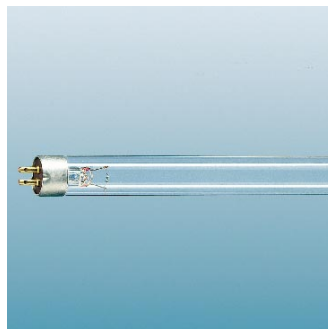


TUV Ø 26 mm T8



TUV Ø 38 mm T12



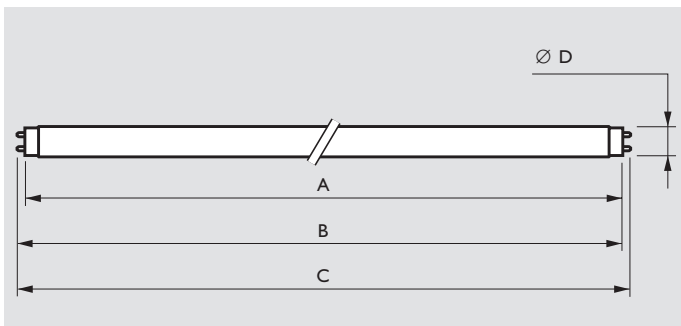
TUV Miniature T5



TUV PL-S



TUV PL-L



Dimensions in mm

TUV disinfection lamps are low-pressure mercury-vapour discharge lamps consisting of a tubular glass envelope, emitting short-wave ultraviolet radiation with a radiation peak at 253.7 nm (UV-C) for germicidal action. The glass filters out the 185 nm ozone-forming line. A protective coating on the inside limits the depreciation of the useful UV-C radiation output (Longlife lamps). PL-S have a specially adapted starter providing almost instant starting characteristics already built into the lamp base.

Note

The UV-C radiation output of these lamps is indicated by the following warning sign.



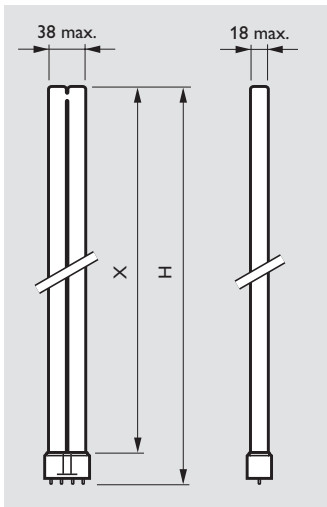
Radiation of these lamps is harmful to eyes and skin. Installations with these lamps are to be screened off completely.

Applications

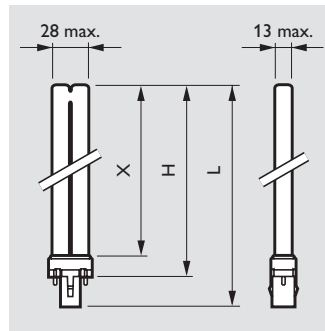
TUV lamps are used for killing or inactivating bacteria, viruses and other primitive organisms. Typical application examples include air, water and surface disinfection in hospitals, bacteriological research and pharmaceutical institutions, and food processing industries, such as dairies, breweries and bakeries. They are also used for the disinfection of drinking water, waste water, swimming pools, air conditioning systems, cold storage rooms, packing material, etc.

Finally, they are applied in a variety of photochemical processes.

| Type | A max. | B min. | B max. | C max. | D max. |
|----------------------|-----------|-----------|-----------|-----------|-----------|
| Cap/base G5 | | | | | |
| TUV 4W | 135.9 | 140.6 | 143.0 | 150.1 | 16.0 |
| TUV 6W | 212.1 | 216.8 | 219.2 | 226.3 | 16.0 |
| TUV 8W | 288.3 | 293.0 | 295.4 | 302.5 | 16.0 |
| TUV 11W | 212.1 | 216.8 | 219.2 | 226.3 | 16.0 |
| TUV 16W | 288.3 | 293.0 | 295.4 | 302.5 | 16.0 |
| Cap/base G13 | | | | | |
| TUV 10W | 331.5 | 336.2 | 338.6 | 345.7 | 28.0 |
| TUV 15W | 437.4 | 442.1 | 444.5 | 451.6 | 28.0 |
| TUV 25W | 437.4 | 442.1 | 444.5 | 451.6 | 28.0 |
| TUV 30W | 894.6 | 899.3 | 901.7 | 908.8 | 28.0 |
| TUV 36W | 1199.4 | 1204.1 | 1206.5 | 1213.6 | 28.0 |
| TUV 55W HO | 894.6 | 899.3 | 901.7 | 908.8 | 28.0 |
| TUV 75W HO | 1199.4 | 1204.1 | 1206.5 | 1213.6 | 28.0 |
| TUV 115W VHO, -R VHO | 1199.4 | 1204.1 | 1206.5 | 1213.6 | 40.5 |



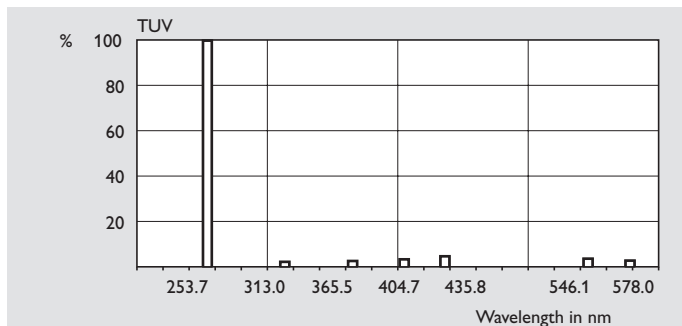
| Type | X max. | H max. |
|---------------|--------|--------|
| Cap/base 2G11 | | |
| TUV 18W PL-L | 195 | 225 |
| TUV 36W PL-L | 385 | 415 |
| TUV 55W PL-L | 505 | 535 |



| Type | X max. | H max. | L max. |
|--------------|--------|--------|--------|
| Cap/base G23 | | | |
| TUV 5W PL-S | 67 | 83 | 105 |
| TUV 9W PL-S | 129 | 145 | 167 |
| TUV 11W PL-S | 198 | 214 | 236 |

Dimensions in mm

| Type | Cap/base | Lamp voltage V | Lamp current A | UV-C radiation W | Useful life h | Depreciation 5000 hrs % | Nett weight g | Ordering number | EOC |
|-----------------|----------|----------------|----------------|------------------|---------------|-------------------------|---------------|-----------------|--------|
| TUV | | | | | | | | | |
| TUV 4W | G5 | 29 | 0.17 | 0.7 | 5000 | 30 | 16 | 9280 001 04000 | 638724 |
| TUV 6W | G5 | 42 | 0.16 | 1.5 | 8000 | 25 | 22 | 9280 007 04000 | 623645 |
| TUV 8W | G5 | 56 | 0.15 | 2.1 | 8000 | 20 | 29 | 9280 011 04000 | 623683 |
| TUV 11W | G5 | 37 | 0.33 | 2.1 | 8000 | 25 | 22 | 9280 022 04000 | 559654 |
| TUV 16W | G5 | 46 | 0.35 | 3.4 | 8000 | 20 | 29 | 9280 020 04000 | 638694 |
| TUV 10W | G13 | 45 | 0.23 | 2.5 | 8000 | 10 | 62 | 9280 241 04000 | 560216 |
| TUV 15W | G13 | 51 | 0.34 | 4.6 | 8000 | 12 | 75 | 9280 390 04000 | 726179 |
| TUV 25W | G13 | 46 | 0.60 | 7.0 | 8000 | 12 | 75 | 9280 394 04000 | 641618 |
| TUV 30W | G13 | 100 | 0.37 | 11.2 | 8000 | 12 | 140 | 9280 395 04000 | 726209 |
| TUV 36W | G13 | 103 | 0.44 | 14.6 | 8000 | 12 | 186 | 9280 486 04000 | 618542 |
| TUV 55W HO | G13 | 83 | 0.77 | 16.5 | 8000 | 12 | 140 | 9280 495 04000 | 618665 |
| TUV 75W HO | G13 | 108 | 0.84 | 25.5 | 8000 | 12 | 140 | 9280 494 04000 | 618511 |
| TUV 115W VHO | G13 | 92 | 1.50 | 37.7 | 5000 | 12 | 290 | 9280 497 04000 | 617590 |
| TUV 115W -RVHO | G13 | 92 | 1.50 | 31.0 | 5000 | 15 | 293 | 9280 496 04000 | 627193 |
| TUV PL-S | | | | | | | | | |
| TUV 5W PL-S | G23 | 34 | 0.18 | 1.0 | 8000 | 15 | 30 | 9279 005 04000 | 642486 |
| TUV 9W PL-S | G23 | 60 | 0.17 | 2.4 | 8000 | 15 | 41 | 9279 017 04000 | 618245 |
| TUV 11W PL-S | G23 | 89 | 0.16 | 3.6 | 8000 | 15 | 58 | 9279 023 04000 | 624888 |
| TUV PL-L | | | | | | | | | |
| TUV 18W PL-L | 2G11 | 60 | 0.37 | 5.5 | 8000 | 15 | 66 | 9279 030 04000 | 624925 |
| TUV 36W PL-L | 2G11 | 105 | 0.44 | 12.0 | 8000 | 15 | 114 | 9279 034 04000 | 628787 |
| TUV 55W HF PL-L | 2G11 | 103 | 0.54 | 17.0 | 8000 | 15 | 145 | 9279 087 04000 | 633798 |



Spectral power distribution

