

MATERIAL:
 Insulator: PE UL94HB
 R=ROHS環保料件
 TYPE OPTION:
 123=D-SUB DUST COVER
 (D-SUB 防塵蓋)
 INSULATOR COLOR: (透明白色)

shop.cpu.com.tw 廣華電子商城

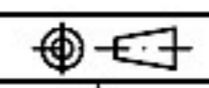
UNLESS OTHERWISE SPECIFIED TOLERANCE	
ANG.	±5°
0.	±0.5
.0	±0.3
.00	±0.2

SCALE: AS SHOWN UNIT: mm

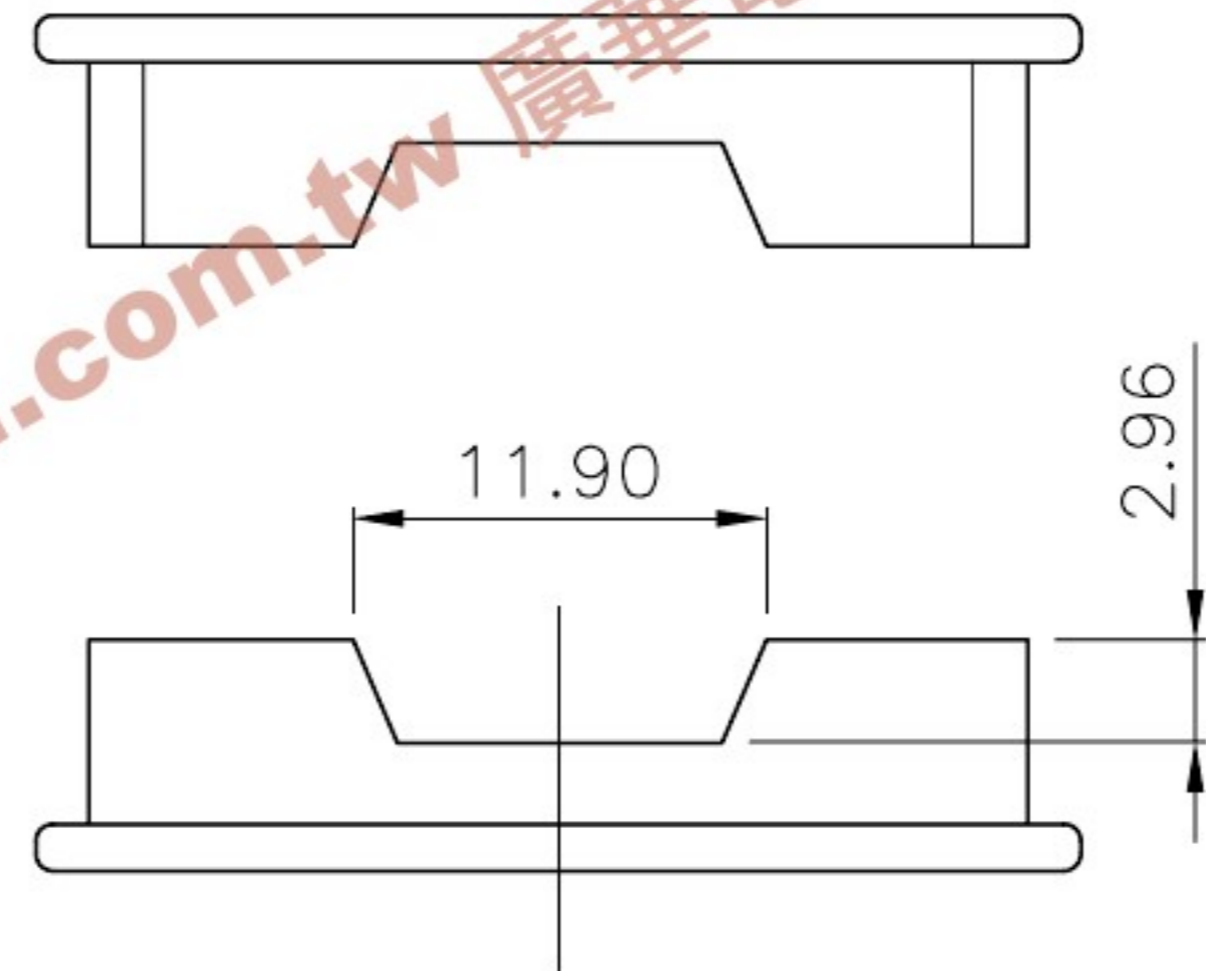
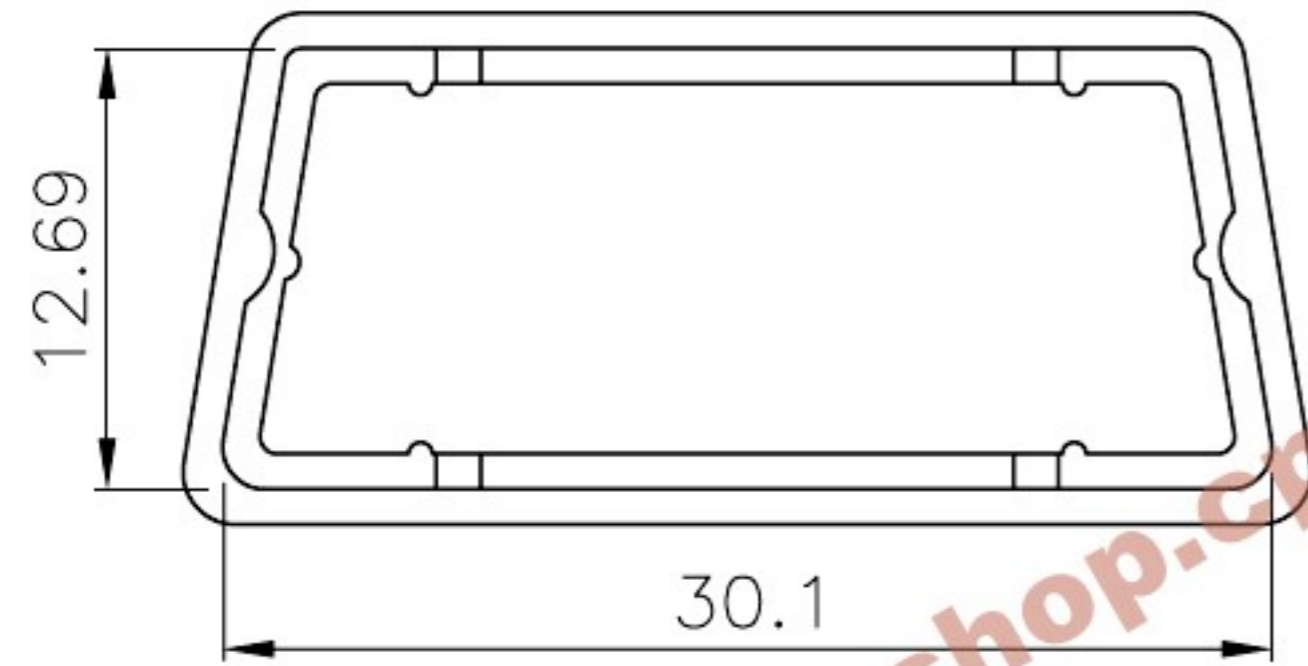
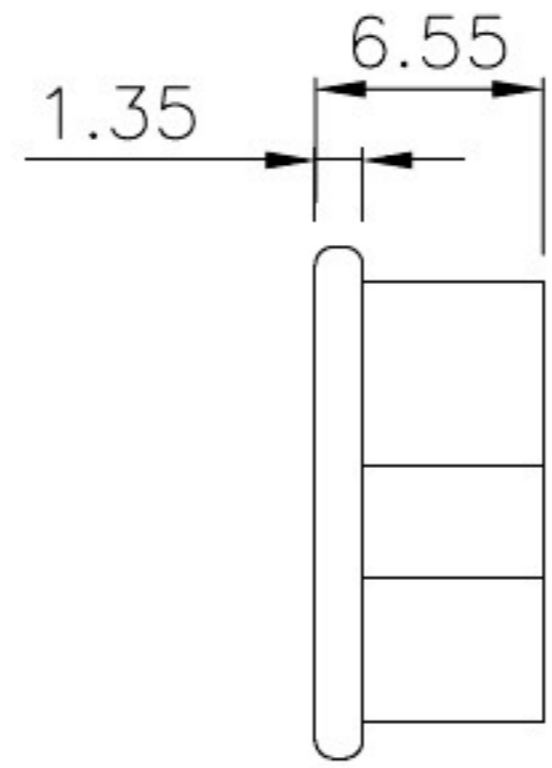
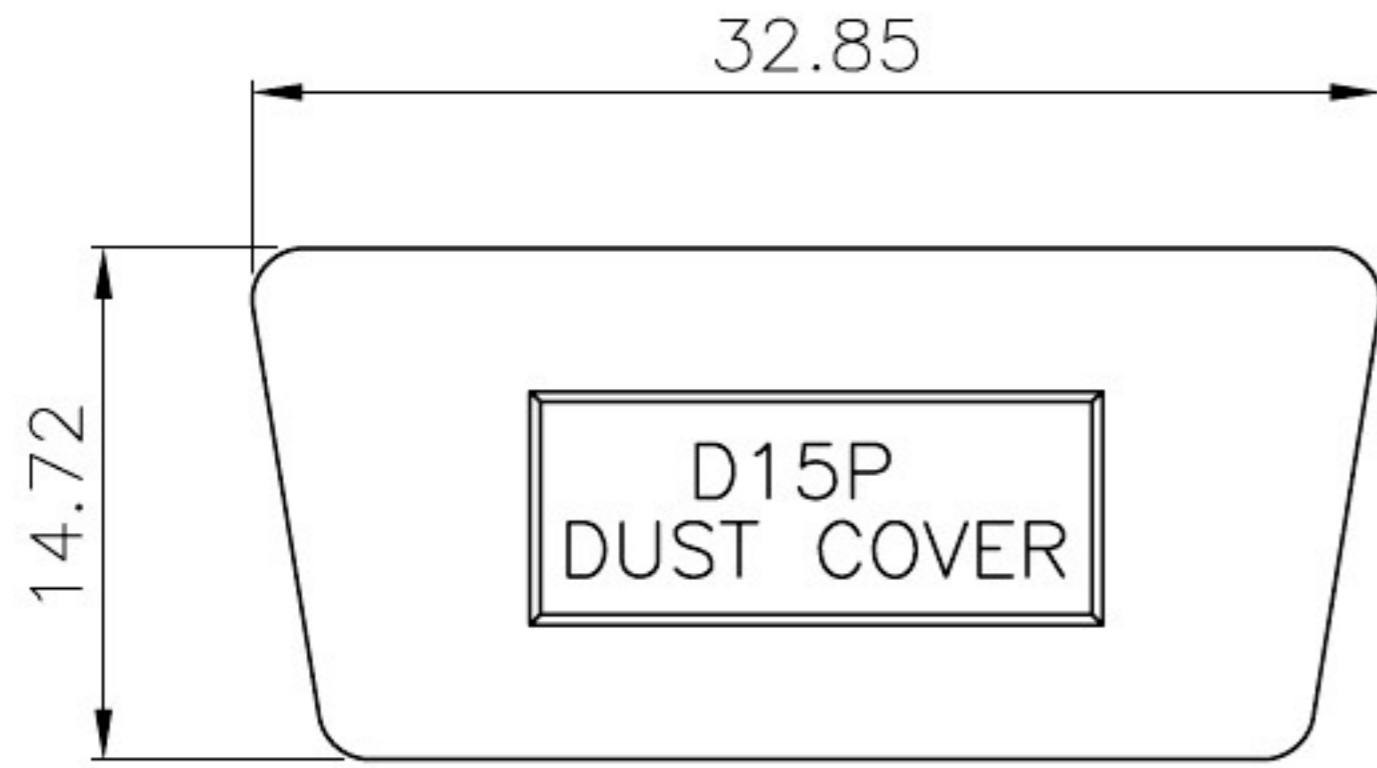
DRAWN	11/21/08
CHECKED	11/21/08
APPROVED	11/21/08

DRAWN NAME:
 D-SUB DUST COVER
 15PIN FEMALE
 PRODUCT NO. R123-15F
 FILE NAME: R123-15F

REV.		DESCRIPTION	DATE
A			11/21/08



SIZE A4 REV. A



SPECIFICATION
 MATERIAL:
 Insulator: PE UL94HB
 R=ROHS環保料件,
 TYPE OPTION:
 123=D-SUB DUST COVER
 (D-SUB 防塵蓋)
 INSULATOR COLOR
 WHITE (透明白色)

shop.cpu.com.tw 廣華電子商城

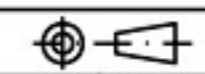
UNLESS OTHERWISE SPECIFIED TOLERANCE	
ANG.	±5°
0.	±0.5
.0	±0.3
.00	±0.2

SCALE: AS SHOWN UNIT: mm

DRAWN	11/21/08
CHECKED	11/21/08
APPROVED	11/21/08

DRAWN NAME:
 D-SUB DUST COVER
 15PIN MALE
 PRODUCT NO. R123-15M
 FILE NAME: R123-15M

REV.		DESCRIPTION	DATE
A			11/21/08



SIZE A4 REV. A