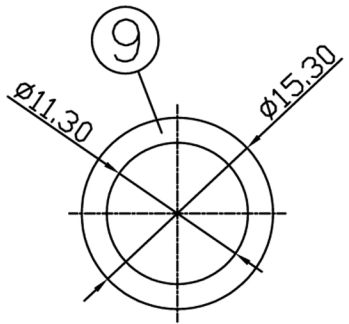
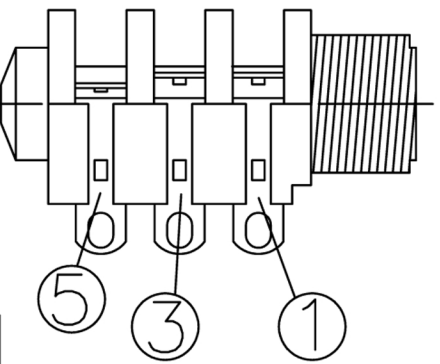
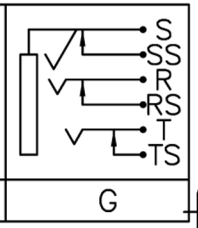
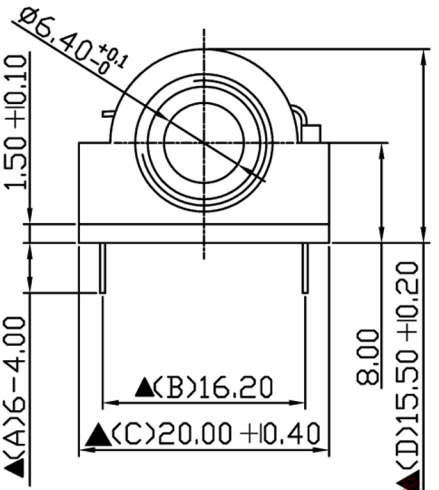


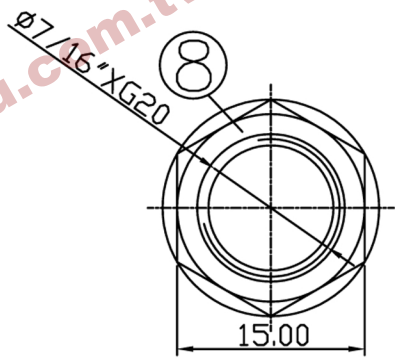
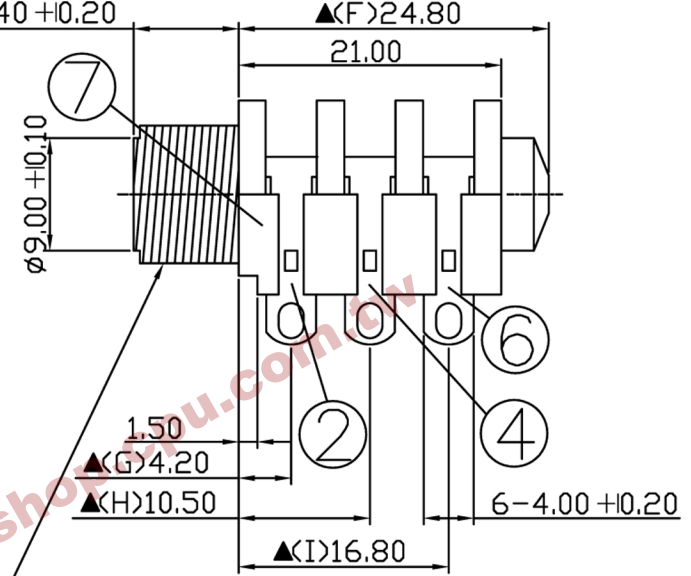
SCHEMATIC
MODEL NO G



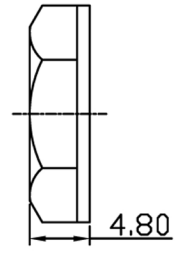
WASHER



$\phi 7/16'' \times G20$ METRIC THREAD



NUT



9.	Washer	PAPER SHEET t1.0	1	Red Color
8.	Nut-Hexagon	PA66	1	Black Color
7.	Housing	PA66	1	Black Color
6.	Tip Spring	0.4T Phosphor Bronze	1	Silver Plated
5.	Tip Shunt	0.4T Bronze	1	Silver Plated
4.	Ring Spring	0.4T Phosphor Bronze	1	Silver Plated
3.	Ring Shunt	0.4T Bronze	1	Silver Plated
2.	Sleeve Spring	0.4T Phosphor Bronze	1	Silver Plated
1.	Sleeve Shunt	0.4T Bronze	1	Silver Plated
NO.	Description	Material	Q'TY	Finish

DATE	DWN	CHKD	APVD	MANAGER
10.12.2011				

PART NAME : 6.3 ϕ PHONE JACK	PART NUMBER: 358-03	VERSION:3.0
TOLERANCE : ± 0.3 mm UNLESS OTHERWISE SPECIFIED	UNIT:mm	SCALE:1/1

RoHS
Pb Free Process

For Reference
僅供參考

SPECIFICATIONS:
 Contact Resistance : 30m Ω max
 Insulation Resistance : 100M Ω min. at DC 500V
 Dielectric Withstand Voltage : AC 500V for one minute
 Remark: ▲: The Most Important Dimension