

DC Fan

80mm

San Ace 80



General specifications

- Material Frame, Impeller: Plastics
- Life Expectancy Varies for each model (Survival rate: 90% at 60°C, rated voltage, and continuously run in a free air state)
- Motor Protection System Current blocking function (with reverse polarity protection)
- Dielectric Strength 50/60 Hz, 500VAC, 1 minute (between lead conductor and frame)
- Noise Measurement Method Measured at 1m from the air inlet
- Operating Temperature Range Varies for each model (Non-condensing)
- Lead Wire K, G, A, S, H, F, W speeds ⊕red, ⊖black
M, L speeds ⊕red, ⊖black or blue
- Mass 68g (15mm thick) 100g (20mm thick)
110g (25mm thick) 150g (32mm thick)

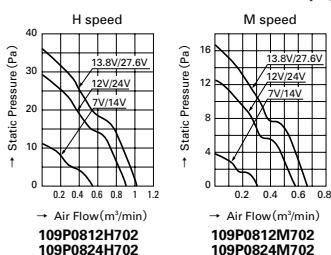
15mm thick Specifications

Model No.	Rated Voltage (V)	Operating Voltage Range (V)	Rated Current (A)	Rated Input (W)	Rated Speed (min ⁻¹)	Air Flow (m ³ /min) (CFM)	Static Pressure (Pa) (inchH ₂ O)	Noise (dB [A])	Operating Temperature Range (°C)	Life Expectancy (h)
109P0812H702	12	7~13.8	0.2	2.4	3,100	0.91 32.1	29.4 0.118	31	-10 ~ +70	40,000
109P0812M702			0.09	1.08	2,000	0.57 20.1	12.6 0.051	21		60,000
109P0824H702	24	14~27.6	0.1	2.4	3,100	0.91 32.1	29.4 0.118	31		40,000
109P0824M702			0.05	1.2	2,000	0.57 20.1	12.6 0.051	21		60,000

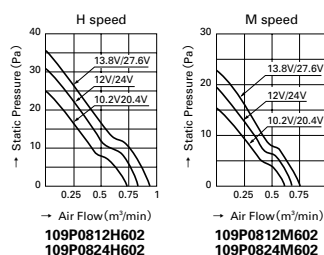
20mm thick Specifications

Model No.	Rated Voltage (V)	Operating Voltage Range (V)	Rated Current (A)	Rated Input (W)	Rated Speed (min ⁻¹)	Air Flow (m ³ /min) (CFM)	Static Pressure (Pa) (inchH ₂ O)	Noise (dB [A])	Operating Temperature Range (°C)	Life Expectancy (h)
109P0812H602	12	10.2~13.8	0.21	2.52	2,900	0.84 29.7	29.4 0.118	31	-10 ~ +70	60,000
109P0812M602			0.13	1.56	2,300	0.67 23.7	18.6 0.075	25		
109P0824H602	24	20.4~27.6	0.12	2.88	2,900	0.84 29.7	29.4 0.118	31		
109P0824M602			0.07	1.68	2,300	0.67 23.7	18.6 0.075	25		

Air Flow and Static Pressure Characteristics (15mm thick)



Air Flow and Static Pressure Characteristics (20mm thick)



25mm thick Specifications

Model No.	Rated Voltage (V)	Operating Voltage Range (V)	Rated Current (A)	Rated Input (W)	Rated Speed (min ⁻¹)	Air Flow (m ³ /min) (CFM)	Static Pressure (Pa) (inchH ₂ O)	Noise (dB [A])	Operating Temperature Range (°C)	Life Expectancy (h)
109R0805F402(4021)	5	4.5~ 5.5	0.25	1.25	2,600	0.92 32.5	28.4 0.114	26	-10 ~ +70	60,000
109R0805M402(4021)			0.17	0.85	2,350	0.83 29.3	22.5 0.090	23		
109R0812G402(4021)	12	10.8~13.2	0.37	4.44	4,500	1.50 53.0	80.4 0.323	40	-10 ~ +70	40,000
109R0812S402(4021)			0.18	2.16	3,400	1.20 42.4	48.0 0.193	34		
109R0812H402(4021)			0.13	1.56	2,900	1.03 36.4	35.3 0.142	29		
109R0812F402(4021)		6 ~13.8	0.11	1.32	2,600	0.92 32.5	28.4 0.114	26		
109R0812M402(4021)			0.09	1.08	2,350	0.83 29.3	22.5 0.090	23		
109R0812L402(4021)			0.06	0.72	1,850	0.65 23.0	14.7 0.059	20		
109R0824G402(4021)	24	20.4~26.4	0.20	4.80	4,500	1.50 53.0	80.4 0.323	40	-10 ~ +70	40,000
109R0824S402(4021)			0.10	2.40	3,400	1.20 42.4	48.0 0.193	34		
109R0824H402(4021)			0.07	1.68	2,900	1.03 36.4	35.3 0.142	29		
109R0824F402(4021)		12 ~27.6	0.06	1.44	2,600	0.92 32.5	28.4 0.114	26		
109R0824M402(4021)			0.05	1.20	2,350	0.83 29.3	22.5 0.090	23		
109R0824L402(4021)			0.04	0.96	1,850	0.65 23.0	14.7 0.059	20		
109R0848K402(4021)	48	40.8~55.2	0.10	4.80	4,600	1.56 55.1	88.4 0.355	41	-10 ~ +70	40,000
109R0848S402(4021)			0.06	2.88	3,400	1.20 42.4	48.0 0.193	34		

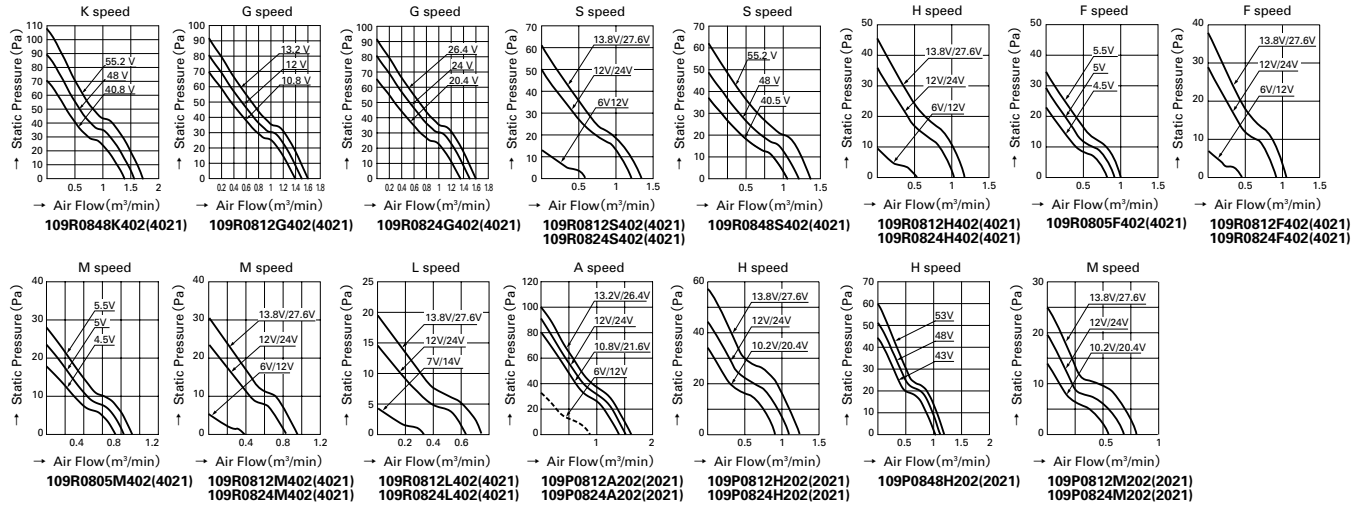
The numbers in () represent ribless models.

32mm thick Specifications

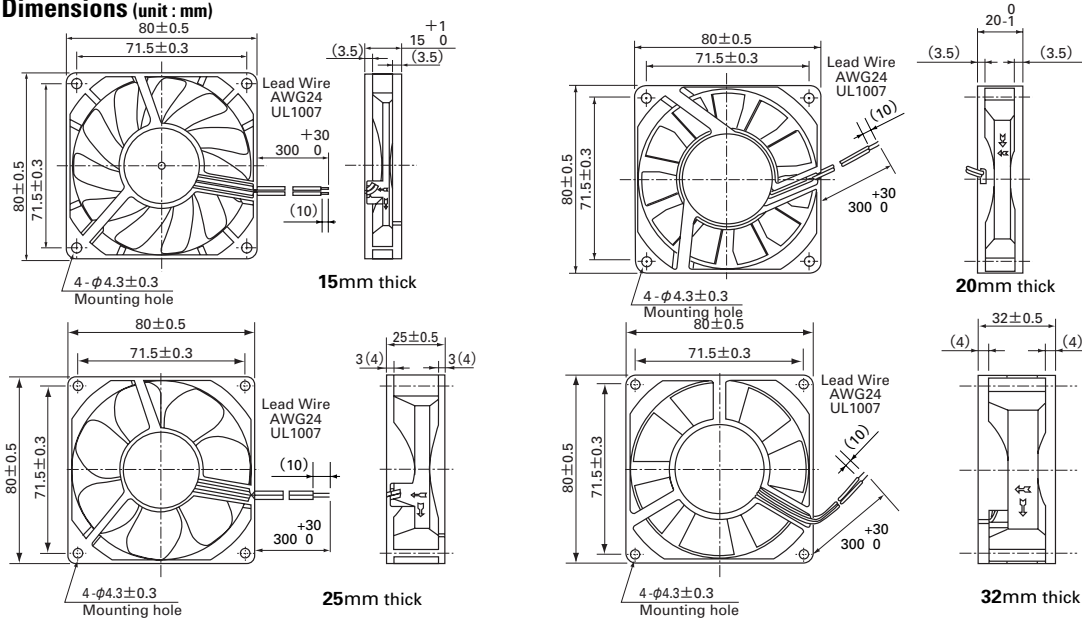
Model No.	Rated Voltage (V)	Operating Voltage Range (V)	Rated Current (A)	Rated Input (W)	Rated Speed (min ⁻¹)	Air Flow (m ³ /min) (CFM)	Static Pressure (Pa) (inchH ₂ O)	Noise (dB [A])	Operating Temperature Range (°C)	Life Expectancy (h)
109P0812A202(2021)	12	6 ~13.2	0.56	6.72	4,600	1.52 53.7	91.1 0.366	45	-10 ~ +55	40,000(+55°C)
109P0812H202(2021)		10.2~13.8	0.16	1.92	3,150	1.05 37.1	43.1 0.173	33	-10 ~ +70	40,000
109P0812M202(2021)			0.07	0.84	2,000	0.65 23.0	18.5 0.074	21		60,000
109P0824A202(2021)	24	12 ~26.4	0.29	6.96	4,600	1.52 53.7	91.1 0.366	45	-10 ~ +60	40,000
109P0824H202(2021)		20.4~27.6	0.09	2.16	3,150	1.05 37.1	43.1 0.173	33	-10 ~ +70	60,000
109P0824M202(2021)			0.04	0.96	2,000	0.65 23.0	18.6 0.075	21		60,000
109P0848H202(2021)	48	43 ~53	0.06	2.88	3,350	1.10 38.9	50.9 0.204	35		40,000

The numbers in () represent ribless models.

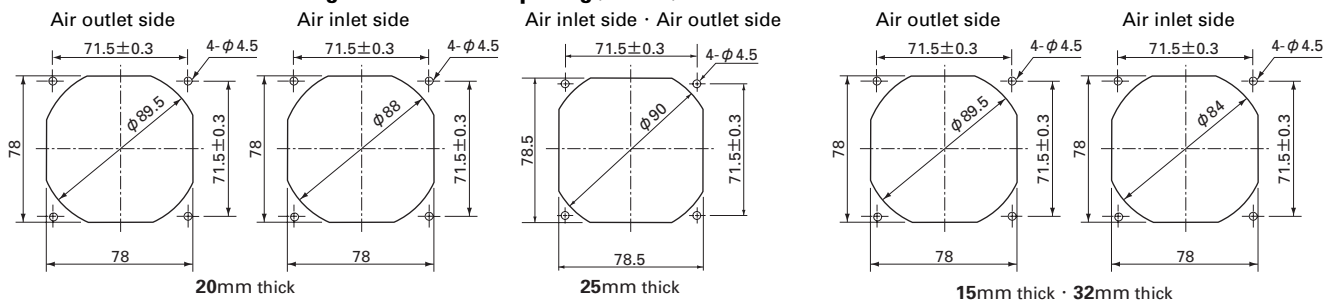
Air Flow and Static Pressure Characteristics (25mm thick · 32mm thick)



Dimensions (unit : mm)



Reference dimension of mounting holes and vent opening (unit : mm)



DC Fan

80mm San Ace 80



"San Ace 80" G Type

General specifications

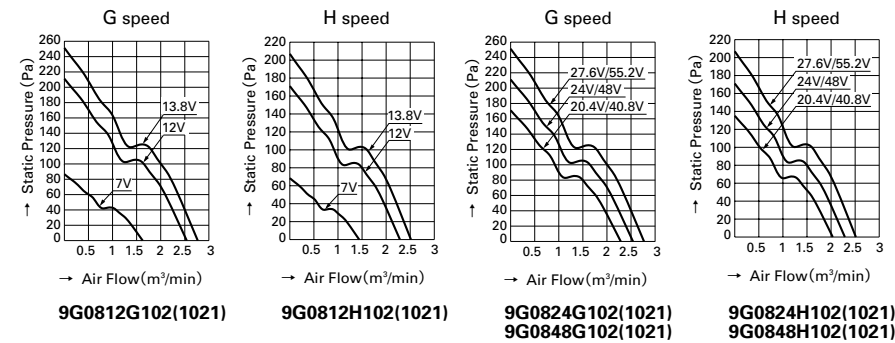
- MaterialFrame, Impeller:Plastics
- Life ExpectancyVaries for each model (Survival rate: 90% at 60°C, rated voltage,and continuously run in a free air state)
- Motor Protection SystemCurrent blocking function (with reverse polarity protection)
- Dielectric Strength50/60 Hz, 500VAC, 1 minute (between lead conductor and frame)
- Noise Measurement Method ...Measured at 1m from the air inlet
- Operating Temperature RangeVaries for each model (Non-condensing)
- Lead Wire⊕red, ⊖black
- Mass170g

38mm thick Specifications

Model No.	Rated Voltage (V)	Operating Voltage Range (V)	Rated Current (A)	Rated Input (W)	Rated Speed (min ⁻¹)	Air Flow (m ³ /min) (CFM)	Static Pressure (Pa) (inchH ₂ O)	Noise (dB [A])	Operating Temperature Range (°C)	Life Expectancy (h)
9G0812G102(1021)	12	7 ~ 13.8	1.1	13.2	6,300	2.55 90	211 0.847	51	-10 ~ +70	40,000
9G0812H102(1021)			0.9	10.8	5,700	2.28 80	171 0.687	49		
9G0824G102(1021)	24	20.4~27.6	0.56	13.4	6,300	2.55 90	211 0.847	51		
9G0824H102(1021)			0.42	10.1	5,700	2.28 80	171 0.687	49		
9G0848G102(1021)	48	40.8~55.2	0.27	13.0	6,300	2.55 90	211 0.847	51		
9G0848H102(1021)			0.20	9.6	5,700	2.28 80	171 0.687	49		

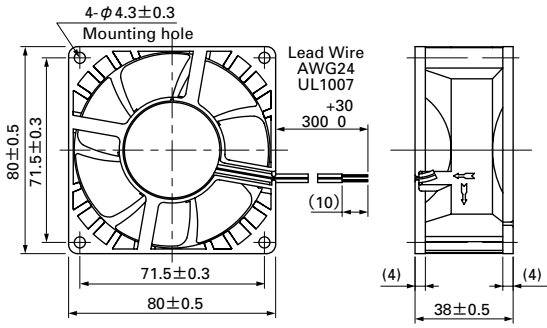
The numbers in () represent ribless models.

Air Flow and Static Pressure Characteristics



80mm

Dimensions (unit : mm)



Reference dimension of mounting holes and vent opening (unit : mm)

Air inlet side · Air outlet side

