

RS-232 To RS-422 / 485 Industrial - 3000V DC Isolation

SC-101-I



Specification

➤ **Serial Port**

Port: RS-232 * 1 port

Port: RS-422 / 485 * 1 port

Speed: 300 bps ~ 115.2K bps

Parity / data bit / stop bit auto detect

RS-232 Pins: Tx, Rx, Gnd, (RTS & CTS shorted), (DTR & DSR shorted)

RS-422: Tx+, Tx- , Rx+, Rx- (Surge protect)

RS-485: D+, D- (Surge protect)

Built in Terminal 100 Ohm Terminal resistor SW selection ON/OFF

15KV ESD for all signals

Optical Isolation Protect: 3000V DC

➤ **Power**

Power Input Voltage: DC +9V ~ 24VDC / 150mA, Consumption < 2 W

Power Input: 3000V DC To DC Isolation

Power Input: wrong Polarity input protection

➤ **Host connection: Standard D-Sub 9 pin female connector**

➤ **Electromagnetic Compatibility: CE, FCC**

➤ **Distance: up to 4000 ft (1250 M)**

➤ **Connection type: Screw terminal for maximum AWG 12 wires**

➤ **Signal LED:SYS TX, RX**

➤ **Operating environment: 0 to +70°C**

➤ **Storage temperature: -10 to +80°C**

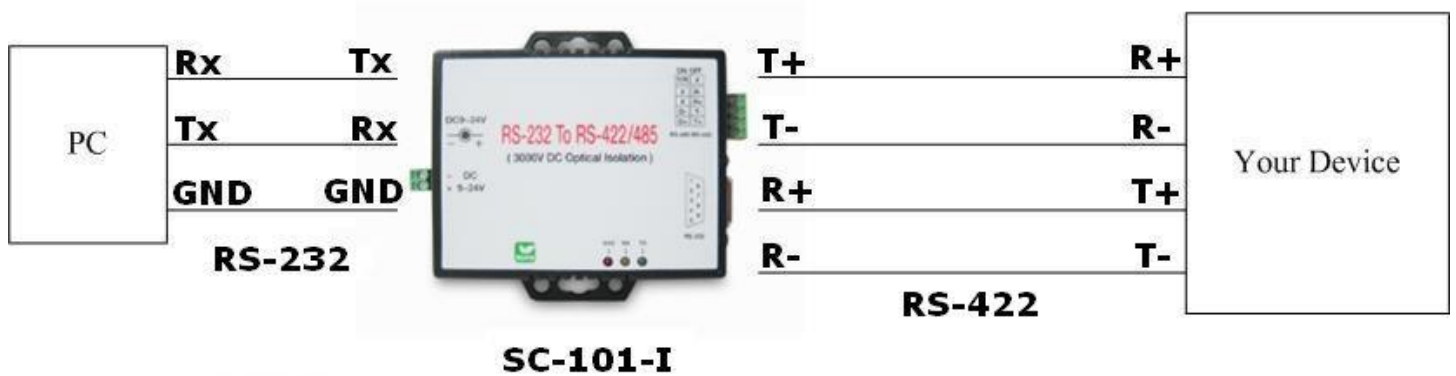
➤ **Dimension: 88mm X91mm X 27mm**

➤ **Weight: 94 g**

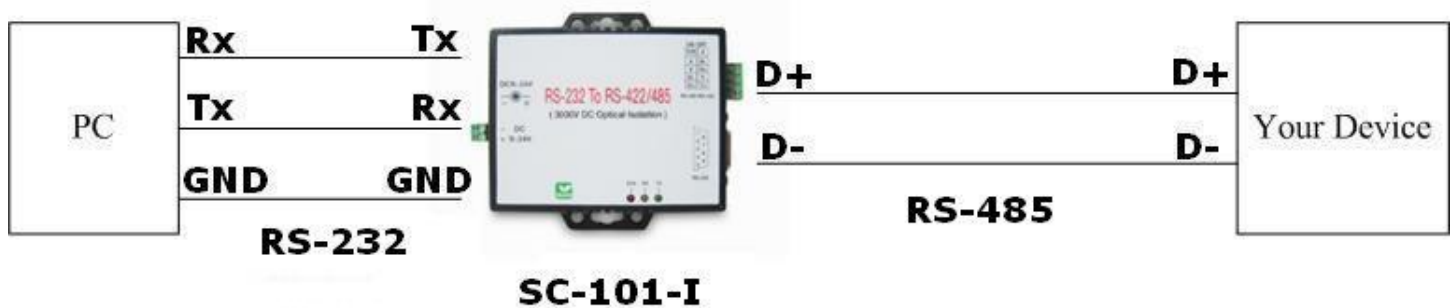
➤ **Humidity: 5-95% non-condensing**

Wiring Diagram

□ Point To Point: RS-422 Full-duplex (4 wires)

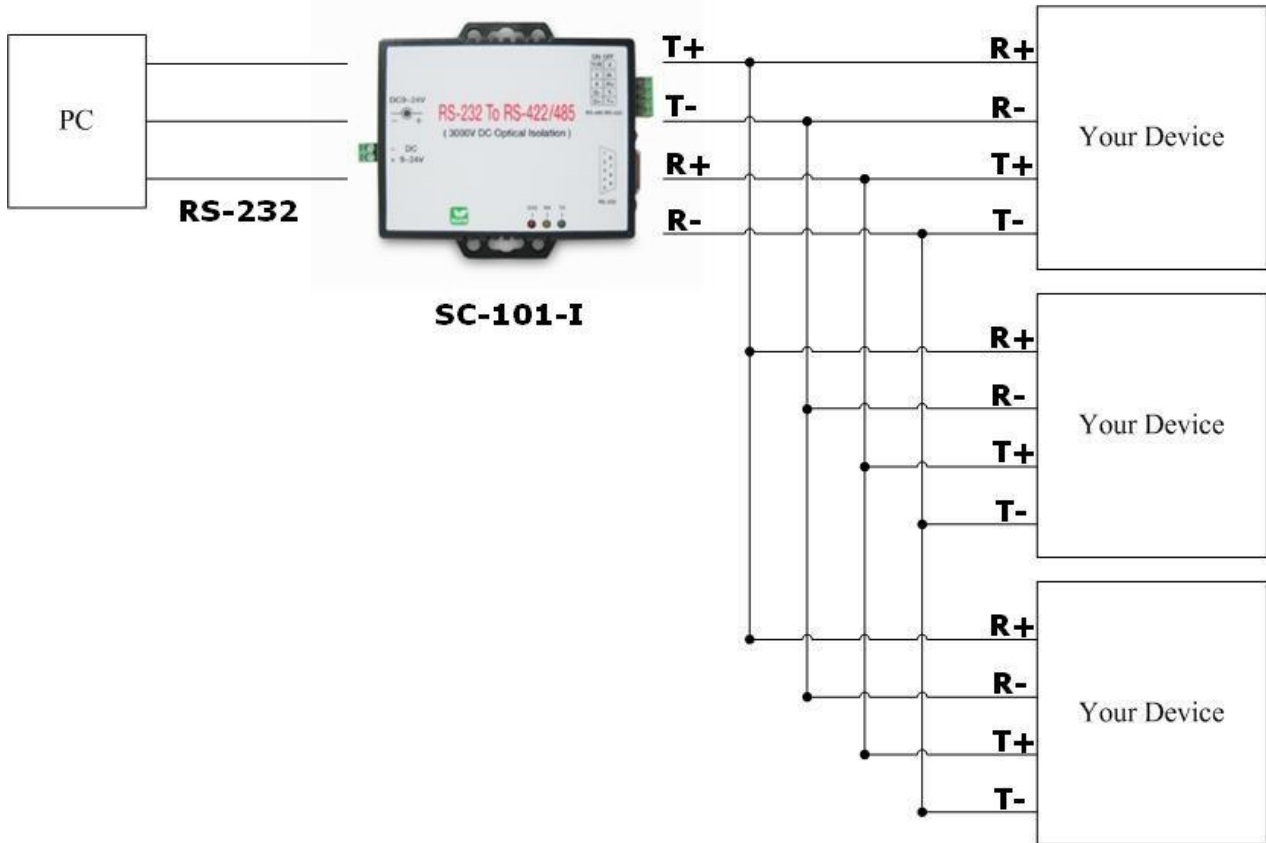


□ Point To Point: RS-485 Half-duplex (2 wires)



Wiring Diagram

❑ Multidrop: RS-422 Full-duplex (4 wires)



❑ Multidrop: RS-485 Half-duplex (2 wires)

