

DC AIR PUMP

Diaphragm Pump



DP0125

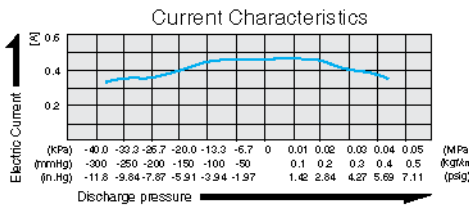
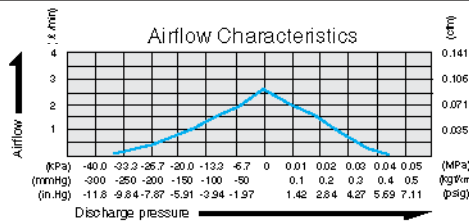


DP0140

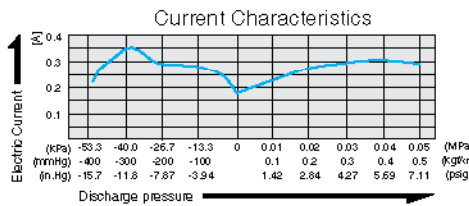
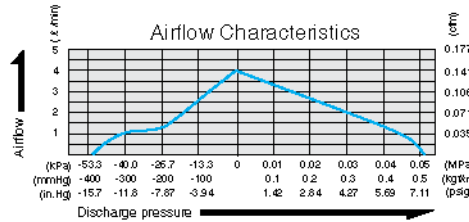
DP0125/DP0140

Airflow & Power Consumption

DP0125



DP0140



Specifications

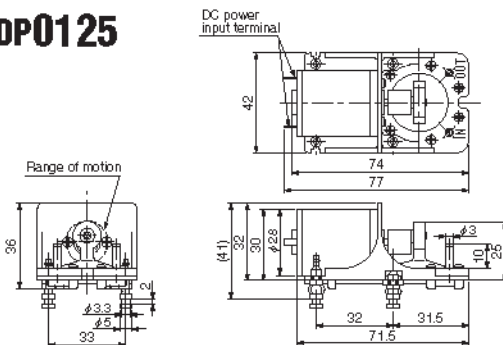
DP0125	(SI)	(EURO)	(U.S.A.)
Attainable Vacuum	-33.3 kPa (-250 mmHg)	-333 mbar	-9.84 in.Hg
Free Air Displacement	2.5 l/min		0.088 cfm
Rated Voltage	12 V, DC		
Maximum Pressure	0.03 MPa (0.3 kgf/cm²)	0.3 bar	4.27 psig
Maximum Current	0.5A		
Duty Cycle	Continuous		
Life Expectancy	200 hours		
Inlet (or Outlet)	3 mm O.D. straight nipple		
Coil Insulation Class	E or its equivalent (JETL)		
Mounting Dimensions	32 (L) x 32.5 (W) mm	1 1/4 (L) x 1 1/8 (W) in.	
Gross Weight	0.08 kg	0.18 Lbs.	

DP0140	(SI)	(EURO)	(U.S.A.)
Attainable Vacuum	-53.3 kPa (-400 mmHg)	-533 mbar	-15.7 in.Hg
Free Air Displacement	4 l/min		0.141 cfm
Rated Voltage	12 V, DC		
Maximum Pressure	0.05 MPa (0.5 kgf/cm²)	0.5 bar	7.1 psig
Maximum Current	0.5A		
Duty Cycle	Continuous		
Life Expectancy	500 hours		
Inlet (or Outlet)	5 mm O.D. straight nipple		
Coil Insulation Class	E or its equivalent (JETL)		
Mounting Dimensions	52 (L) x 36 (W) mm	2 1/8 (L) x 1 1/8 (W) in.	
Gross Weight	0.19 kg	0.42 Lbs.	

* Life expectancy is the expected accumulated period of time during which the compressor will maintain the above specifications. Contact your supplier for details of the conditions of use under which the values and numbers stated herein are maintained.

Sketch Drawing and Mounting Dimensions Diagram (mm)

DP0125



DP0140

